

# SHARK PRO INTERNAL FILTER



INSTRUCTION MANUAL

Shark PRO

EN • IT • DE • FR • ES • NL • PT • RU • CZ • CN • KR

SEAL AND SIGNATURE OF RESALE DEALER  
TIMBRO E FIRMA DEL RIVENDITORE  
STEMPEL UND UNTERSCHRIFT DES VERKAUFERS  
CACHET ET SIGNATURE DU REVENDEUR  
SELLO Y FIRMA DEL REVENDEDOR  
STEMPEL EN HANDTEKENING VAN DE DEALER  
CARIMBO E ASSINATURA DO REVENDEDOR  
ПЕЧАТЬ И ПОДПИСЬ ДИЛЕРА  
邮票卖家签名






DATE OF PURCHASE  
DATA DI VENDITA  
VERKAUFSDATUM  
DATE DE VENTE  
FECHA DE VENTA  
DATUM VAN AANKOOP  
DATA DE VENDA  
ДАТА ПРОДАЖИ  
发售日

\_\_\_\_ / \_\_\_\_ / \_\_\_\_  
day month year

**WARANTY • GARANZIA • GARANTIE • GARANTIA**  
**GARANTIED • GARANTIA • GARANTI • ГАРАНТИЯ • 保固書**

# TECHNICAL PERFORMANCES & RANGE



SHARK PRO		500	700	900
 <b>Aquarium capacity</b>	220 - 240 V 50 Hz	40 - 140 L	120 - 200 L	180 - 260 L
	110 - 120 V 60 Hz	11-37 US gal	32-53 US gal	48-70 US gal
 <b>Filter volume</b>	220 - 240 V 50 Hz	310 cm <sup>3</sup>	620 cm <sup>3</sup>	930 cm <sup>3</sup>
	110 - 120 V 60 Hz	19 cubic in.	38 cubic in.	57 cubic in.
 <b>FOAM filtration surface</b>	220 - 240 V 50 Hz	100 cm <sup>2</sup>	200 cm <sup>2</sup>	300 cm <sup>2</sup>
	110 - 120 V 60 Hz	16 square in.	32 square in.	48 square in.
 <b>Watt</b>	220 - 240 V 50 Hz	4	7	10
	110 - 120 V 60 Hz	4	7	10
 <b>Pump output</b>	220 - 240 V 50 Hz	500 l/h	700 l/h	900 l/h
	110 - 120 V 60 Hz	140 US gph	190 US gph	240 US gph
Cable lenght		2,2 m / 7.5 ft		

# IMPORTANT SAFETY INSTRUCTIONS

**WARNING** - To guard against injury, basic safety precautions should be observed, including the following.

## READ AND FOLLOW

## ALL SAFETY INSTRUCTIONS

**WARNING:** To avoid possible electric shock, special care should be taken since water is employed in the use of aquarium equipment. For each of the following situations, do not attempt repairs by yourself. Return the appliance to an authorized service facility for service or discard the appliance.

- 1) **CAUTION:** If the appliance shows any sign of abnormal water leakage, immediately unplug it from the power source.
- 2) Carefully examine the appliance after installation. It should not be plugged in if there is water on parts not intended to be wet.
- 3) Do not operate any appliance if it has a damaged cord or plug, or if it doesn't work properly or has been dropped or damaged in any manner.
- 4) To avoid the possibility of the appliance plug or receptacle getting wet, position aquarium stand and tank or the fountain to one side of a wall-mounted receptacle to prevent water from dripping onto the receptacle or plug.  
A "drip-loop" (fig. 1) should be arranged by the user for each cord connecting an aquarium appliance to a receptacle. The "drip-loop" is the part of the cord below the level of the receptacle or the connector if an extension cord is used, which prevents water travelling along the cord and coming in contact with the receptacle. If the plug or socket does get wet, DON'T unplug the cord. Disconnect the fuse or circuit breaker that supplies power to appliance. Then unplug and examine for presence of water in the receptacle.
- 5) Close supervision is necessary when any appliance is used by near children.
- 6) To avoid injury, do not contact moving parts or hot parts such as heaters, reflectors, lamp bulbs and similar.
- 7) Always unplug an appliance from an outlet when not in use, before putting on or taking off parts and before cleaning. Never yank cord to pull plug from outlet.

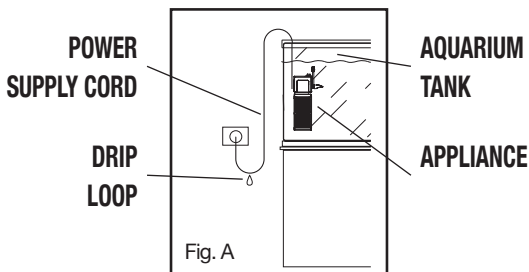
Grasp the plug and pull to disconnect.

- 8) Do not use an appliance for other than intended use. The use of attachments, not recommended or sold by the manufacturer of the appliance, may cause an unsafe condition.
- 9) Do not install or store the appliances where it will be exposed to the weather or to temperatures below freezing.
- 10) Make sure an appliance mounted on a tank is securely installed before operating it.
- 11) Read and observe all the important notices of the appliance.
- 12) If an extension cord is necessary, a cord with a proper rating should be used. A cord rated for less amperes or watts than the appliance rating may overheat. Care should be taken to arrange the cord so that it will not be tripped over or pulled.
- 13) This appliance has a polarized plug (one blade is wider than other). As a safety feature, this plug will fit in a polarized outlet only one way. If the plug does not fit fully in the outlet, reverse the plug. If it still does not fit, contact a qualified electrician. Never use with an extension cord unless plug can be fully inserted. Do not attempt to defeat this safety feature.

**WARNING:** To reduce the risk of electric shock, use only on portable self-contained fountains no larger than 5 feet in any dimension.

**CAUTION:** The appliance is to be connected to a circuit that is protected by a Ground Fault Circuit Interrupter.

## SAVE THESE INSTRUCTIONS



# CONSIGNES DE SÉCURITÉ IMPORTANTES

**MISE EN GARDE:** - Afin de se protéger contre les blessures, des mesures de sécurité de base doivent être observées, y compris les suivantes.

## LIRE ET OBSERVER TOUTES LES CONSIGNES DE SÉCURITÉ

**DANGER** - Pour éviter tout choc électrique, une grande prudence est de rigueur. Dans chacune des situations suivantes, ne pas essayer de réparer l'appareil soi-même; l'expédier au fabricant pour réparation ou le jeter.

- 1) **MISE EN GARDE:** Si la pompe à eau montre un quelconque signe de fuite d'eau anormale, la débrancher immédiatement de la prise de courant.
- 2) Examiner soigneusement l'appareil après l'installation. Il ne doit pas être branché s'il y a de l'eau sur les pièces qui ne doivent pas être mouillées.
- 3) Ne pas faire fonctionner un appareil défectueux, dont le cordon électrique ou la fiche sont endommagés, ou qui a été échappé ou abîmé d'une façon quelconque.
- 4) Afin d'éviter que l'appareil ou la prise de courant soient mouillés, installer le support pour aquarium et le bac à côté d'une prise de courant pour empêcher l'eau de dégoutter sur la prise. L'utilisateur devrait faire une boucle d'égouttement (fig. 1 DRIP LOOP) pour chaque cordon électrique branché d'un aquarium à une prise de courant. Une boucle d'égouttement est la partie du cordon se trouvant sous la prise de courant ou le raccord si une rallonge électrique est utilisée, afin d'empêcher l'eau de circuler le long du cordon électrique et d'être en contact avec la prise de courant. Si la fiche ou la prise de courant sont mouillées, NE PAS débrancher le cordon électrique. Débrancher d'abord le fusible ou disjoncteur qui fournit l'électricité à l'appareil et débrancher ensuite l'appareil en vérifiant qu'il n'y a pas d'eau dans la prise.
- 5) Une surveillance étroite est requise lorsque l'appareil est utilisé par des enfants ou en leur présence.
- 6) Pour éviter les accidents, ne pas toucher aux pièces mobiles ou chaudes comme les chauffe-eau, réflecteurs, ampoules, etc.
- 7) Toujours débrancher l'appareil quand il n'est pas utilisé, quand des pièces sont enlevées ou remplacées et avant l'entretien. Ne jamais tirer sur le fil

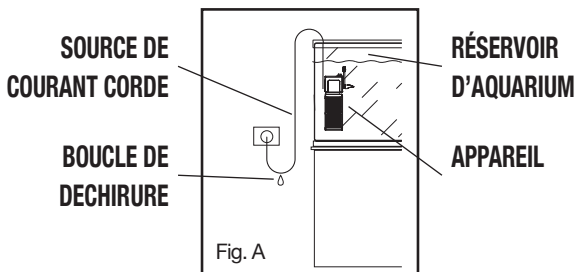
pour débrancher l'appareil; prendre la fiche et débrancher l'appareil.

- 8) Ne pas utiliser un appareil pour un emploi autre que celui pour lequel il a été fabriqué. Les pièces non vendues ou non recommandées par le fabricant pourraient compromettre la sécurité de l'appareil.
- 9) Ne pas exposer cet appareil aux intempéries ou à une température en dessous de 0 °C.
- 10) Vous assurer qu'un appareil monté sur un aquarium est bien installé avant de le faire fonctionner.
- 11) Lire et observer tous les avis importants sur l'appareil.
- 12) Si une rallonge électrique est nécessaire, vous assurer qu'elle est d'un calibre adéquat. Un cordon électrique de calibre inférieur ou de moins d'ampères ou de watts que l'appareil peut surchauffer. Le cordon doit être placé de façon à éviter que quelqu'un trébuche ou le tire.
- 13) Cet appareil possède une fiche polarisée (une lame est plus large que les autres). Par mesure de sécurité, cette fiche s'insère dans une prise polarisée que dans un sens. Si la fiche n'entre pas complètement dans la prise, inverser la fiche. Si elle ne rentre toujours pas, contactez un électricien qualifié. Ne jamais utiliser une rallonge si la fiche peut être insérée complètement. Ne pas essayer de contourner ce dispositif de sécurité.

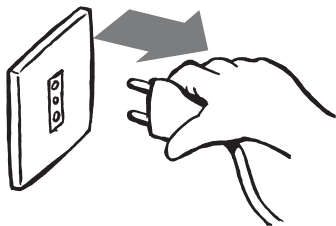
**AVERTISSEMENT:** Pour réduire le risque de choc électrique, utilisez uniquement le portable autonome fontaines ne dépassant pas 5 pieds dans n'importe quelle dimension.

**ATTENTION:** La pompe doit être connectée à un circuit qui est protégé par un disjoncteur différentiel.

## CONSERVER CES INSTRUCTIONS

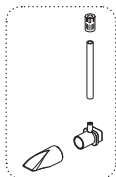


- EN** Before doing any maintenance in the water unplug the power plug
- IT** Prima di eseguire qualsiasi tipo di manutenzione nell'acqua scollegare la presa di corrente
- DE** Bevor Sie mit den Händen ins Wasser Ziehen Sie den Netzstecker
- FR** Avant une quelconque manutention dans l'eau débranchez la fiche d'alimentation
- ES** Antes de intervenir en los filtro, desenchufe el enchufe de alimentación
- NL** Uit het stopcontact voordat u onderhoud gaat uitvoeren of uw handen in het water steekt
- PT** Antes de fazer qualquer manutenção no aquário desconecte o plugue de alimentação
- RU** отключите все погруженные в воду электрические изделия перед проведением любых работ по техническому обслуживанию в воде
- CZ** Před provedením jakékoli údržby ve vodě odpojte všechny ponořené elektrické výrobky
- CN** 注意:在水中进行任何维护前,请先断开所有浸没式电气产品的电源
- KR** 물에서 정비를 하기 전에 잠긴 모든 전기 제품을 분리하십시오

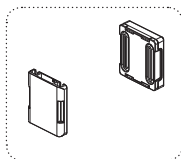




# SPARE PARTS



STR0044



SPL0123



**220-240 / 50hz**

SGR0256 - 500

SGR0258 - 700

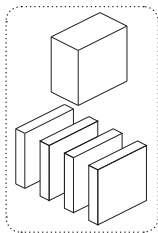
SGR0259 - 900

**110-120 / 60hz**

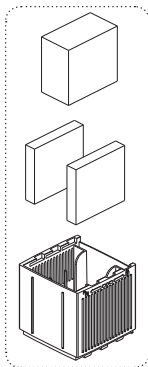
SGR0257

SGR0256

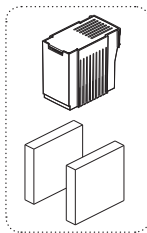
SGR0258



SSP0040



SKT0306

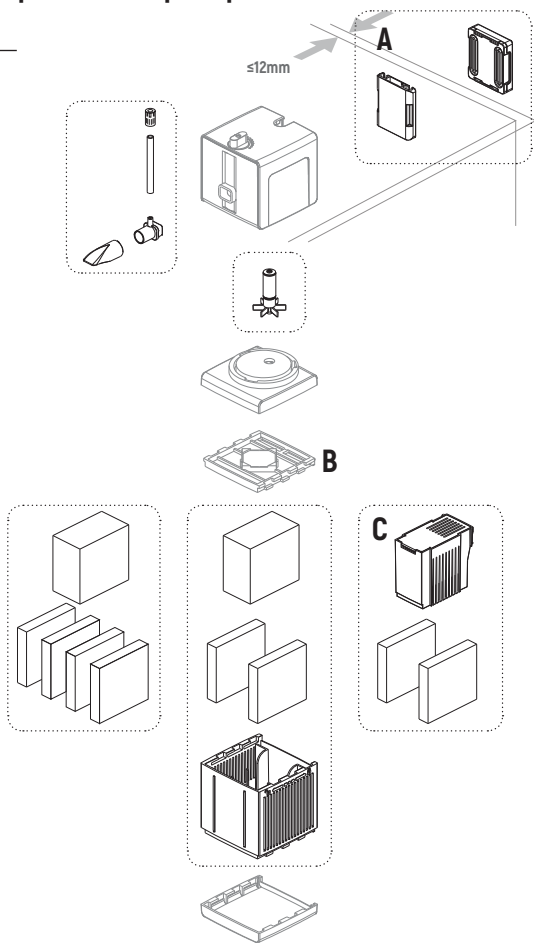


SVA0020 - Active Carbon

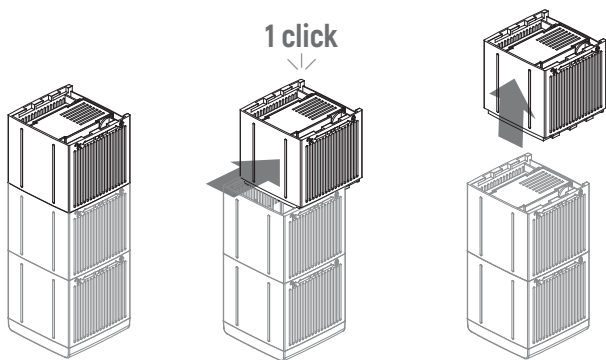
SVA0019 - Zerophos

SVA0018 - Biopearl

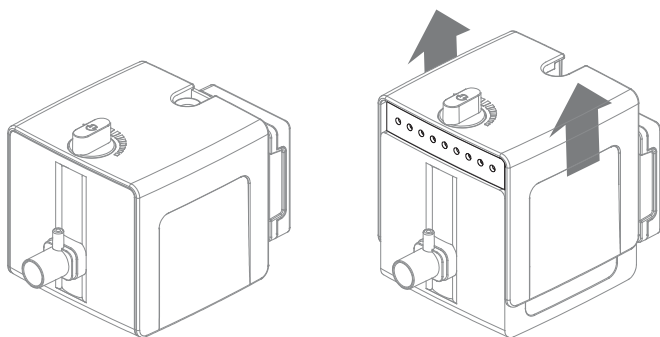
# 1 Components & Spare parts



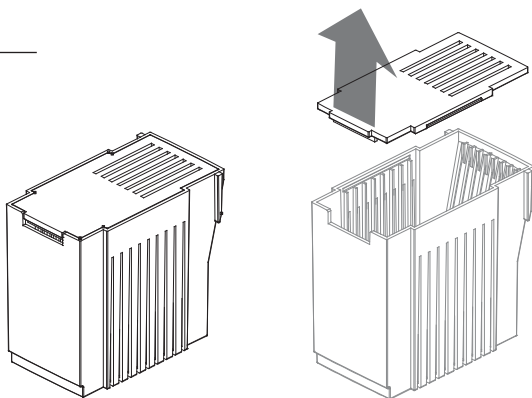
# 2



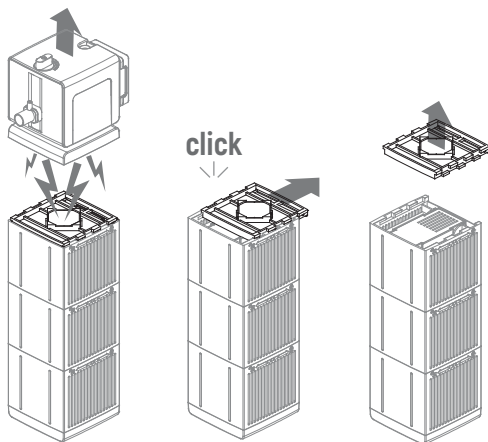
# 3



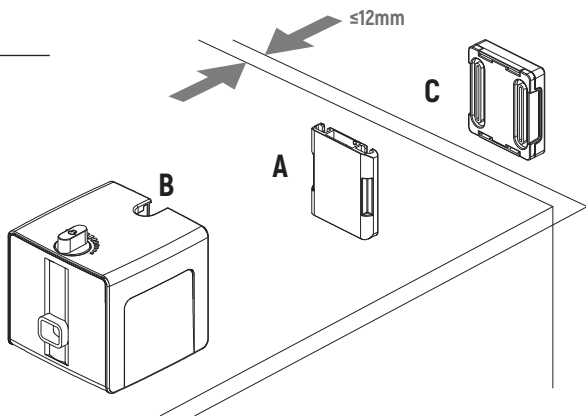
**4**



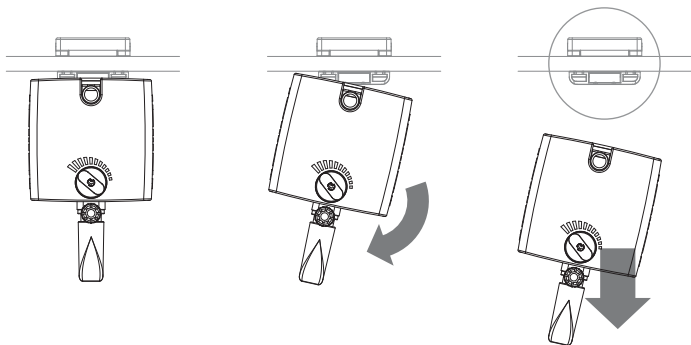
**5**



# 6

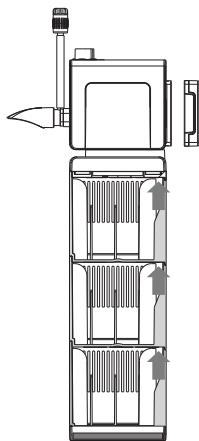


# 7



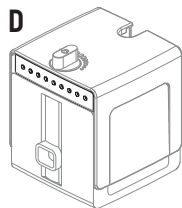
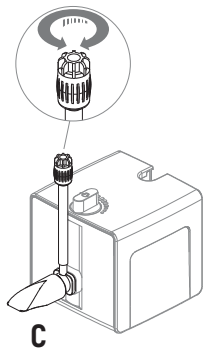
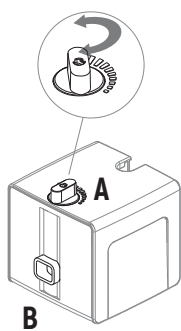
# 8

---

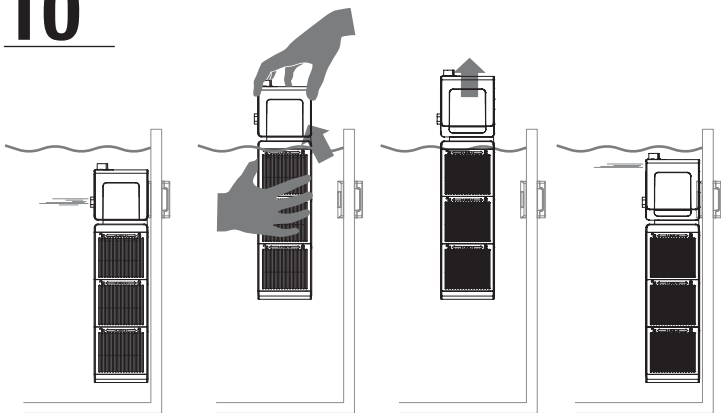


# 9

---



# 10

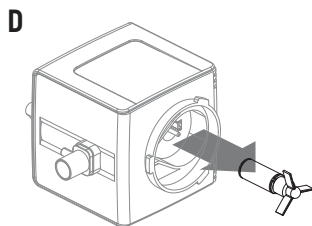
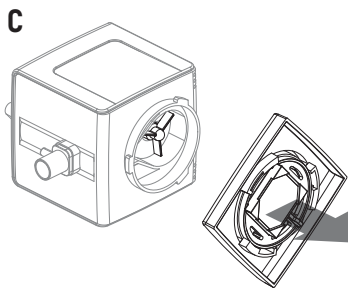
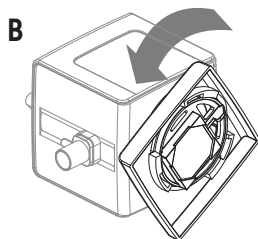
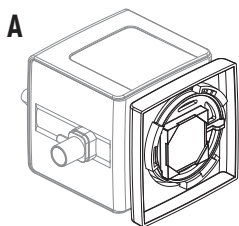


# 11



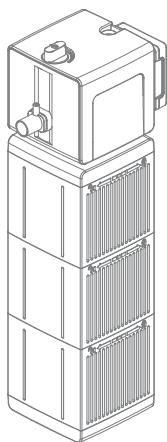
**Eco 100%  
Biodegradable**

# 12

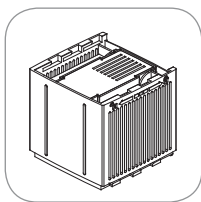




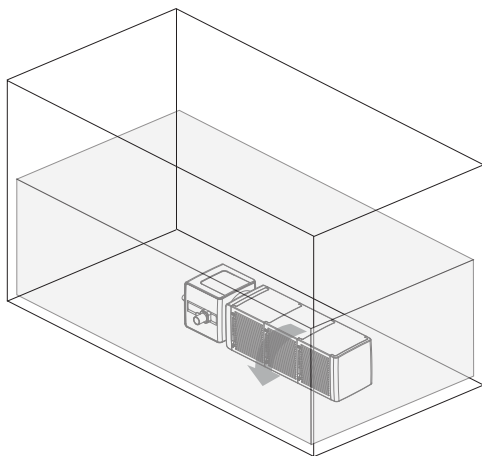
**13**



**+1**



**14**



**EN**

The NEW SHARK PRO internal filters are designed to reach in short time an efficient aquarium filtration and crystal water using a versatile combination of mechanical, biological and chemical media which are included. A large selection of other SICCE filter media are available to perform many of the advanced filter tasks needed for plants aquaria - aquascaping and special water treatments.

**IT****DE****FR****ES****NL****PT****RU****CZ****CN****KR**

## GENERAL SAFETY INSTRUCTION

**SHARK PRO** is made in conformity with the national and international security laws.

**1)** Check that the tension on the filter's label matches the network tension. The filter has to be supplied by a differential switch (protector), through which the nominal current is lower or equal to 30mA. **2)** This filter can be used only submersed in water. **3)** Before connecting the filter to the electric network, check that the cable and the filter are not damaged. **4)** The filter has a type Z cable link. The cable and the plug cannot be substituted or repaired; in case of damages substitute the entire filter. **5) CAUTION:** disconnect all the submersed electrical products before doing any maintenance in the water; in case the plug or the electric outlet are damaged, disconnect the general switch before disconnecting the electric supply cable. **6)** The filter must not work without water to avoid damages to the motor. **7)** The filter can be used in liquids or in environment with a temperature not higher than 35° C / 95° F. **8)** Do not use the filter for uses different to those for which it has been designed as, i.e. in bathroom or similar applications. **9)** Do not use the filter with corrosive and abrasive liquids. **10)** Individuals with special needs and children should be supervised when using this product. **11)** To prevent accidental drips from wetting the plug or the socket, make a loop with the cord under the socket level (*Pic. A*). **12)** Avoid moving the filter by the cord during the installation or maintenance. **13)** The filter can be used only in the above mentioned applications and it is only for internal use.

## FILTER MEDIA INCLUDED

**SHARK PRO 500** = 2 X 20ppi LATERAL Foams + 1 x 30ppi Foam- MECHANICAL FILTRATION

**SHARK PRO 700** = 2 X 20ppi LATERAL Foams + 1 x 30ppi Foam- MECHANICAL FILTRATION + 2 X 20ppi LATERAL Foams + 1 CARTRIDGE filled with BIOPEARL-BIOLOGICAL FILTRATION

**SHARK PRO 900** = 2 X 20ppi LATERAL Foams + 1 x 30ppi Foam- MECHANICAL FILTRATION + 2 X 20ppi LATERAL Foams + 1 CARTRIDGE filled with BIOPEARL-BIOLOGICAL FILTRATION + 2 X 20ppi LATERAL Foams + 1 CARTRIDGE filled with ZEROPHOS - CHEMICAL FILTRATION

The Inner cartridge can be refilled using Sicce Filter Media (recommended) or any other.

## MAIN FEATURES

### Components & Spare Parts

- 1)** MAGNETIC HOLDER for glass thickness up to **12mm - 1/2"** . (*Pic.1A*)
- 2)** MAGNETIC CONNECTION from Filter head and Filter body for easy removal and

cleaning operations. *(Pic. 1B)*

**3) OPENING DRAWER** of the filter modules. *(Pic. 2)*

**4) 30% LARGER FILTER SURFACE** fastening a crystal water process and a winning filtration system

**5) SPRAYBAR** with a discrete design which preserve the view of the aquarium improving constantly the oxygenation of the water. *(Pic.3)*

**6) RECHARGEABLE** cartridge with a large capacity to contain different filter media. *(Pic.4)*

## Filter Assembling System *(Pic.5)*

Filter 's head

Sicce Magnetic Connection System

Modular Filter Case

The magnetic grid can be removed sliding it with only 1 click

Magnetic Grid

## How To Hang On The Filter To The Glass *(Pic.6)*

Fix component **A** into the square groove **B** which is on the back side of the filter's head. Then position component **C** to the glass and hang on the filter. The magnetic force will keep it steady.

**TIPS:** Once the filter has been positioned there is no need to remove the magnet mount **A+C** to remove the filter from the aquarium. You can simply remove SHARK PRO leaving the magnet mount fixed on the glass. *(Pic.7)*

## Water Flow Modes *(Pic.8-9)*

Separate and individual entries on each module let the water flow system work in the most efficient way preventing clogging and allows the water to maintain consistent movement through the filter.

**REGULATION ON THE TOP** from Min to Max *(Pic.9A)*

**UNIDIRECTIONAL** *(Pic.9B)*

**DEFLECTOR WITH SILENCER** - Oxygen enrichment *(Pic.9C)*

**SPRAYBAR** *(Pic.9D)*

To avoid accidental water splash on the floor we recommend to unplug the filter before switching from Uni-directional mode to Spraybar mode. *(Pic.10)* To reach the best performance and oxygen enrichment, re-position the filter fully submersed. Excessive oxygenation could disperse too much CO<sub>2</sub>, which is helpful for healthy plants and to prevent the raise of PH.

## SprayBar Holes

It is advisable to keep the holes always free from small filament or algae which could reduce the flow.

## MAINTENANCE

**Deep cleaning - use SICCE PUMPCLEAN** *(Pic.11)*

It's important to keep your Sicce Filter in prime operating condition to ensure long-life and efficient operation. Over time, natural mineral deposits will form in the filter

EN

IT

DE

FR

ES

NL

PT

RU

CZ

CN

KR

EN

surface and rotor, and if untreated, may cause undesirable operation or even failure. Sicce PUMPCLEAN is a super-concentrated, yet completely safe solution to remove these deposits and keep your filter in tip-top shape.

IT

### **Key Components To Be Cleaned To Return Your Filter To Optimal Condition. (Pic.12)**

#### **- Rotor**

Turn this component, located below the filter's head, from right to the left, to raise the filter's head. The rotor is in the middle of the module and will be easily removable. For perfect cleaning leave it submerged in water + Sicce PumpClean for about 30 minutes, then rinse it using a soft brush to remove stubborn deposits. Re-assemble the filter as per previous operations.

DE

FR

#### **- Filter modules grid**

It is advisable to keep the grid always free from small filament or algae which could block the holes and reduce the flow

ES

It is not necessary to remove the filter media and cleaning can be done from the external face of the filter.

NL

## **FILTER MEDIA REPLACEMENTS SYSTEM**

### **Biological and Chemical Filtration**

The inner cartridge can be totally replaced by purchasing new Ones available in store and ready to use OR can be open and refilled with the recommended Sicce Filter media or any other available in the market.

PT

Cartridge or Filter media should be replaced every 4-6 weeks.

RU

### **Mechanical Filtration**

Rinse the foams regularly and replace them in about 6-8 weeks to preserve a crystal water aquarium.

CZ

## **UPGRADE (Pic.13)**

SHARK PRO Filter can be upgraded by adding extra Unit ( available as spare part) . You can add as many as necessary for temporary water treatments or to improve the Filtration module.

CN

KR

## **SHARK PRO can be used VERTICALLY & HORIZONTALLY for Turtles Kit and Paludarium (Pic.14)**

The Filter can be positioned horizontally or vertically and the filter's modules can be rotated thanks to a double fitting of the base.

When used with low water level, as per turtles kit or paludarium, the filter will base on the bottom of the aquarium in horizontal way. In this case, we recommend to use heavier filter media as the filter's buoyancy, not necessary in this specific application, could become an issue.

# INSTRUCTIONS FOR THE CORRECT DISCHARGE OF THE PRODUCT ACCORDING TO EU DIRECTIVE 2002/96/EC

EN

IT

When used or broken, the product does not have to be discharged with the other waste. It can be delivered to the specific electric waste collection centers or to dealers who give this service. Discharge separately an electric tool avoid negative consequences for the environment and for the Health and allows to regenerate the materials so to have a great saving of energy and resources.

DE

## WARRANTY

FR

LIMITED WARRANTY "Sicce guarantees this product (see Exclusions below) to the original purchaser against defects of materials and workmanship for a period of three (3) years from the date of original purchase, except for the pump's impeller, which is guaranteed for a period of six (6) months. This warranty is limited to repair or replacement (at Sicce's option) of defective product only and does not cover loss of aquarium life, personal injury, property loss, or damage arising from the use of the product. We recommend to keep the original proof of purchase to validate the warranty. Warranty claims must be submitted to the retailer where you purchased the product. Failure to present proof of purchase attached to the claim will invalidate the right to the guarantee. By connecting to the website [www.sicce.com](http://www.sicce.com), in the appropriate session, you can request assistance if it has not been possible to contact the dealer. Also in this case the proof of purchase will be a fundamental requirement for the correct execution of the return procedure. Any warranty herein shall run concurrently with, and not in addition to, any minimum warranty periods established by applicable law. The claimant must obtain a "Return Merchandise Authorization" at the time of filing before sending any product for warranty or technical service. The purchaser bears the cost of shipping to and from the service center or repair station. EXCLUSIONS. This warranty does not cover the following: \*Damage resulting from accident, misuse, abuse, lack of reasonable care, use of the product that is other than normal or ordinary, using the project in abnormal working conditions or any other failures not resulting from defects in materials or workmanship. \*Damage resulting from modification, tampering with or attempted repair by anyone other than Sicce or its designee. \* Transfer of the product to someone other than the original purchaser. \* Subjecting the product to electrical service not specified in the packaging; the original purchaser is responsible for providing adequate electrical facilities."

ES

NL

PT

RU

CZ

CN

KR

## FIND OUT HOW TO GET YOUR PRODUCT GUARANTEED FOR 5 YEARS.

To improve our service and our customers' satisfaction, Sicce offers the possibility of adding a 2 year extension (5 years total) to the warranty by simply registering your product on our website [www.sicce.com](http://www.sicce.com) in "Support/ Product Registration" Fill-in the form and upload the product's purchase receipt. After having correctly inserted all your data, complete the warranty extension request.

Thanks for preference given & enjoy your new **SHARK PRO** !

EN

I nuovi filtri interni SHARK PRO sono progettati per raggiungere in breve tempo un'efficace filtrazione dell'acquario e acqua cristallina utilizzando una combinazione versatile di materiali filtranti meccanici, biologici e chimici inclusi a seconda del modello. È disponibile un'ampia selezione di materiali filtranti SICCE per favorire azioni di filtraggio avanzate consigliate per acquari con piante e pesci tropicali, per aquascaping e trattamenti speciali dell'acqua.

IT

DE

## NORME DI SICUREZZA

**SHARK PRO** è prodotto in conformità alle attuali norme di sicurezza nazionali ed internazionali.

FR

**1)** Controllare che la tensione riportata sull'etichetta del filtro corrisponda alla tensione di rete. L'apparecchio deve essere alimentato attraverso un interruttore differenziale (salvavita), la cui corrente nominale sia inferiore o uguale a 30mA. **2)** Il filtro può essere utilizzato solo sommerso. **3)** Prima di collegare l'apparecchio alla rete, controllare che il cavo e il filtro non risultino in qualche modo danneggiati. **4)** Il filtro è costruito con un collegamento di tipo Z. Il cavo e la spina non possono essere sostituiti o riparati; in caso di danneggiamento sostituire l'intero apparecchio. **5)**

ES

**ATTENZIONE:** scollegare tutti gli apparecchi elettrici sommersi prima di eseguire qualsiasi tipo di manutenzione nell'acqua; nel caso in cui la spina di connessione o la presa di corrente fossero bagnate, disattivare l'interruttore generale prima di staccare il cavo d'alimentazione. **6)** Il filtro non deve mai funzionare senza acqua per evitare danni al motore. **7)** Il filtro può essere utilizzato in liquidi o in ambienti

NL

PT

con temperatura non superiore ai 35° C / 95° F. **8)** Non utilizzare l'apparecchio per scopi diversi da quelli per i quali è stato realizzato, come ad es. in stanze da bagno o applicazioni simili. **9)** Evitare di far funzionare il filtro con liquidi corrosivi ed abrasivi. **10)** Questo dispositivo non è progettato per essere utilizzato da persone

RU

CZ

(inclusi bambini) con ridotte capacità fisiche, sensoriali e mentali a meno che non siano accompagnati da persone responsabili per la loro sicurezza. **11)** Per evitare che accidentali gocciolamenti bagnino la spina o la presa di corrente realizzare con il cavo un'ansa sotto il livello della presa (*Fig. A*). **12)** Evitare di sollevare il filtro dal cavo di alimentazione durante l'installazione e la manutenzione. **13)** Il filtro può essere utilizzato solamente nelle applicazioni suddette ed è destinato esclusivamente ad uso in ambienti interno se dotato di cavo bipolare.

CN

KR

## MATERIALI FILTRANTI INCLUSI

**SHARK PRO 500** = 2 spugne laterali da 20ppi + 1 spugna centrale da 30ppi-  
FILTRAZIONE MECCANICA

**SHARK PRO 700** = 2 spugne laterali da 20ppi + 1 spugna centrale da 30ppi-  
FILTRAZIONE MECCANICA / 2 spugne laterali da 20ppi + cartuccia contenente  
BIOPEARL - FILTRAZIONE BIOLOGICA

**SHARK PRO 900** = 2 spugne laterali da 20ppi + 1 spugna centrale da 30ppi-  
FILTRAZIONE MECCANICA / 2 spugne laterali da 20ppi + cartuccia contenente  
BIOPEARL - FILTRAZIONE BIOLOGICA / 2 spugne laterali da 20ppi + cartuccia  
contenente ZEROPHOS- FILTRAZIONE CHIMICA

La cartuccia interna può essere acquistata con apposito materiale filtrante o riutilizzata grazie al coperchio apribile.

## CARATTERISTICHE PRINCIPALI

### Componenti e Pezzi di Ricambio

- 1) **SUPPORTO MAGNETICO** per acquari con spessore vetro fino a **12mm**. (Fig.1A)
- 2) **AGGANCIAMENTO MAGNETICO** tra modulo filtrante e testa del filtro per una facile pulizia e manutenzione. (Fig. 1B)
- 3) **APERTURA A CASSETTO** dei moduli filtranti. (Fig. 2)
- 4) **MAGGIORE SUPERFICIE FILTRANTE** per facilitare e accelerare il processo di filtrazione dell'acqua e garantire acqua cristallina.
- 5) **SPRAYBAR INCORPORATO** per garantire costante ossigenazione dell'acqua e un flusso più delicato. (Fig.3)
- 6) **CARTUCCIA** contenitiva materiali filtranti, apribile, per garantire massima versatilità nella filtrazione. (Fig.4)

### Sistema di Assemblaggio (Fig.5)

Testa del filtro

Sistema di aggancio magnetico tra testa e moduli filtranti

Modulo filtro

La base magnetica può essere rimossa con un semplice click di sgancio.

Griglia magnetica

### Sistema di Fissaggio al Vetro (Fig.6)

Fissare il componente magnetico **A** nella parte rettangolare incava **B**, posta sul retro della testa del filtro. Posizionare il corpo magnetico **C** sul vetro e agganciare il filtro. La forza magnetica di **A** con **C** manterrà il filtro posizionato in modo stabile.

**CONSIGLIO:** Una volta posizionato il filtro, non è necessario rimuovere i componenti magnetici **A+C**, ma sarà sufficiente sganciare il filtro dagli stessi con un movimento di leggera rotazione. (Fig.7)

### Modalità' di Flussi (Fig.8-9)

Il sistema di flusso garantisce una via indipendente all'acqua che scorre attraverso i moduli, evitando accumulo di materiale organico ed intasamenti nei vari livelli. Questo grazie alla progettazione interna dei moduli nei quali è ricavato un vano libero per lo scorrimento dell'acqua.

**REGOLAZIONE sulla testa del filtro** da Minimo a Massimo (Fig.9A)

**FLUSSO UNIDIREZIONALE** (Fig.9B)

**DEFLETTORE CON SILENZIATORE** - per arricchire l'acqua di ossigeno (Fig.9C)

**SPRAYBAR** (Fig.9D)

La modalità **SPRAYBAR** va attivata a filtro momentaneamente spento e **sganciando il filtro dal vetro** (Fig.10). Se si esegue questa operazione con filtro funzionante, il rischio che esca dell'acqua, con effetto sbuffo, dall'acquario è molto probabile. Si consiglia di riposizionare il filtro interamente sommerso. Una eccessiva ossigenazione potrebbe disperdere troppo CO<sub>2</sub>, utile alle piante e a prevenire l'innalzamento dei valori del PH.

### Fori dello SprayBar

Si consiglia di monitorare che i fori dello spraybar siano sempre liberi e non ostruiti da filamenti o alghe che potrebbero diminuire il flusso e le prestazioni del filtro.

EN

IT

DE

FR

ES

NL

PT

RU

CZ

CN

KR

EN

## PULIZIA

Per una accurata pulizia delle parti meccaniche del filtro (rotore, girante) o del filtro stesso se particolarmente sporco, si consiglia **SICCE PUMP CLEAN**, (Fig.11) ottimo per filtri, pompe e molto altro.

Una corretta manutenzione garantisce una maggiore durata del prodotto e lo preserva da formazioni di calcare o depositi di alghe e materiale organico mantenendolo in perfetta efficienza per una efficace filtrazione.

IT

DE

## Manutenzione (Fig.12)

### - Rotore

Ruotare la testa del filtro (unica direzione e movimento), alzare il modulo, capovolgerlo ed estrarre il rotore. Per una buona e profonda pulizia lasciarli sommersi in acqua e PUMP CLEAN, o, in mancanza, un po' di acqua e aceto, per circa 30 minuti. Risciacquare con uno spazzolino morbido e riassemblare con le stesse modalità.

FR

ES

### - Griglie dei moduli filtranti

Si consiglia di tenere la griglia dei moduli sempre libera da filamenti o alghe che potrebbero ridurre il flusso dell'acqua e l'efficacia del filtro.

NL

Questa operazione può essere svolta senza necessariamente togliere il materiale filtrante all'interno del filtro.

PT

## RICAMBIO MATERIALI FILTRANTI

### Filtrazione Biologica e Chimica

La cartuccia interna al modulo può essere completamente sostituita con una nuova acquistando i ricambi disponibili. La stessa cartuccia può essere aperta ed è possibile sostituire solamente i materiali filtranti a seconda delle necessità.

RU

Una rimozione/sostituzione dell'intera cartuccia o dei materiali è consigliata con una certa regolarità (4-6 mesi) per mantenere invariata la trasparenza dell'acqua e le prestazioni del filtro.

CZ

### Filtrazione Meccanica

Anche per le spugne si consiglia risciacquo frequente e completa sostituzione ogni 6-8 settimane.

CN

KR

## MODULARITA' (Fig.13)

Il design dei Filtri SHARK PRO è stato appositamente studiato per consentire un'implementazione del filtro e conseguentemente una maggiore filtrazione dell'acqua o temporanei specifici trattamenti della stessa a prescindere dal modello acquistato. I moduli aggiuntivi si possono acquistare a parte.

## UTILIZZO DEL FILTRO IN ACQUARIO O TARTARUGHERE E PALUDARI (Fig.14)

Il Filtro può essere posizionato orizzontalmente o verticalmente girando i moduli del filtro.

Se utilizzato con un livello d'acqua basso, come nel caso di tartarughere e palludari, il filtro verrà adagiato sul fondo della vasca in modo orizzontale. In questo caso, si consiglia di utilizzare materiali filtranti più pesanti per impedire la galleggiabilità del filtro, non necessaria in questa specifica applicazione.



# AVVERTENZE PER IL CORRETTO SMALTIMENTO DEL PRODOTTO AI SENSI DELLA DIRETTIVA EUROPEA 2002/96/EC

Alla fine della sua vita utile, il prodotto non deve essere smaltito insieme ai rifiuti urbani. Può essere consegnato presso gli appositi centri di raccolta differenziata predisposti dalle amministrazioni comunali, oppure presso i rivenditori che forniscono questo servizio. Smaltire separatamente un elettrodomestico consente di evitare possibili conseguenze negative per l'ambiente e per la salute favorendo il recupero dei materiali ed un importante risparmio energetico.

## GARANZIA

SICCE garantisce questo prodotto contro difetti di materiale e lavorazione per un periodo di tre (3) anni dalla data di acquisto originale, ad eccezione del rotore della pompa, che è garantito per un periodo di sei (6) mesi. Questa garanzia è limitata alla riparazione o alla sostituzione (a discrezione di Sicce) del prodotto difettoso e non copre: perdita di pesci e/o piante nell'acquario, lesioni personali, danni da usura, danni da trasporto, o danni derivanti dall'uso improprio del prodotto. È necessario conservare la prova di acquisto originale per convalidare la garanzia. Qualsiasi garanzia qui contenuta deve essere eseguita in concomitanza e non in aggiunta a qualsiasi periodo minimo di garanzia stabilito dalla legge. I reclami in garanzia devono essere presentati al rivenditore presso il quale si è acquistato il prodotto. La mancanza di presentazione della prova d'acquisto allegata al reclamo, invaliderà il diritto alla garanzia. Collegandosi al sito [www.sicce.com](http://www.sicce.com), nell'apposita sessione, si potrà richiedere assistenza, qualora non sia stato possibile contattare il rivenditore. Anche in questo caso la prova d'acquisto sarà requisito fondamentale per il corretto proseguo della procedura. Il richiedente deve ottenere una "Autorizzazione alla restituzione della merce" al momento della presentazione prima di inviare qualsiasi prodotto in garanzia o assistenza tecnica. L'acquirente sostiene i costi di spedizione da e verso il centro di assistenza o di riparazione. **ESCLUSIONI.** Questa garanzia non copre quanto segue: \* Danni derivanti da incidenti, trasporto, uso improprio, abuso, mancanza di ragionevole cura, uso del prodotto diverso dal normale o ordinario, utilizzo del prodotto in condizioni di lavoro anomale o qualsiasi altro guasto non derivante da difetti nei materiali o nella lavorazione. \* Danni derivanti da modifiche, manomissioni o tentativi di riparazione da parte di soggetti diversi da Sicce o da un suo incaricato. \* Trasferimento del prodotto a soggetto diverso dall'acquirente originale. \* Utilizzo del prodotto con standard elettrico diverso ( Volt/Hz) da quello indicato.

## SCOPRI COME OTTENERE 5 ANNI DI GARANZIA SUL TUO PRODOTTO.

Per migliorare il servizio e la soddisfazione dei clienti, SICCE offre la possibilità di applicare 2 anni extra di garanzia semplicemente registrando il prodotto nel sito web [www.sicce.com](http://www.sicce.com) alla sessione "Supporto/ Registrazione prodotto".

Grazie per la preferenza accordataci !

EN

IT

DE

FR

ES

NL

PT

RU

CZ

CN

KR

EN

Die NEUEN SHARK PRO Innenfilter wurden entwickelt, um in kurzer Zeit eine effiziente Aquariefiltration und kristallklares Wasser durch eine vielseitige Kombination von mechanischen, biologischen und chemischen Medien zu erreichen, die im Lieferumfang enthalten sind. Eine große Auswahl an anderen SICCE Filtermedien ist verfügbar, um viele der fortgeschrittenen Filteraufgaben zu erfüllen, die für Pflanzenaquarien - Aquascaping und spezielle Wasserbehandlungen - benötigt werden.

DE

## SICHERHEITSHINWEISE:

**SHARK PRO** entspricht den nationalen und internationalen gesetzlichen Sicherheitsvorschriften.

FR

**1)** Vor Gebrauch des Filters ist die auf dem Etikett angegebene Netzspannung zu überprüfen. Der Filter sollte über den FI- Schutzschalter mit 30mA betrieben werden. **2) WICHTIG:** Der Filter darf nicht "trocken" laufen. Schäden am Gerät sind dann nicht ausgeschlossen. **3)** Vor Anschluss des Geräts, vergewissern Sie sich der Unversehrtheit des Produkts. Insbesondere dürfen das Kabel und der Filter keinerlei Beschädigungen aufweisen. **4)** Netzkabel dürfen nicht ersetzt oder beschädigt werden (Z-Verbindung Kabel). Das Netzkabel darf nicht zum Befestigen des Filters verwendet werden. Liegt eine Beschädigung des Netzkabels vor, ist der Filter auszuwechseln. **5) ACHTUNG:** Ziehen Sie unbedingt die Netzstecker aller eingetauchten Elektrogeräte ab, bevor Sie mit den Händen ins Wasser greifen und tun Sie dies grundsätzlich vor jeder Wartung. **6)** Der Filter darf nicht trocken laufen um Beschädigungen am Rotor zu vermeiden. **7)** Die maximale Flüssigkeitstemperatur darf 35° C / 95° F nicht überschreiten. **8)** Der Filter darf nicht in ätzender Säure verwendet werden. Wenn sich der Filter in Betrieb befindet, ist außerdem sicherzustellen, dass er keinen Sand ansaugt, der die Innenteile ernsthaft beschädigen und folglich zum Ausschluss des Produktes von der Garantie führen kann. **9)** Der Filter darf ohne Aufsicht nicht von Menschen mit besonderen Bedürfnissen benutzt werden. **10)** Außerhalb der Reichweite von Kindern aufbewahren. **11)** Beim Anschluss des Filters an das Stromnetz ist so vorzugehen, dass sich der niedrigste Punkt des Kabels unterhalb der Netzsteckdose befindet, damit nicht zufällig Wassertropfen vom Kabel in die Steckdose gelangen können (Abb. A - DRIP LOOP). **12)** Das Kabel ist weder durchzuschneiden noch ist daran zu ziehen um die Stromspeisung zu unterbrechen. **13)** Der Filter darf nur im Innenbereich eingesetzt werden.

ES

NL

PT

RU

CZ

CN

KR

## FILTERMEDIEN ENTHALTEN

**SHARK PRO 500** = 2 x 20ppi SEITLICHE Schaumstoffe + 1 x 30ppi Schaumstoff -MECHANISCHE FILTRATION

**SHARK PRO 700** = 2 x 20ppi SEITLICHE Schaumstoffe + 1 x 30ppi Schaum-MECHANISCHE FILTRATION + 2 x 20ppi SEITLICHE Schaumstoffe + 1 PATRONE gefüllt mit BIOPEARL- BIOLOGISCHE FILTRATION

**SHARK PRO 900** = 2 x 20ppi SEITLICHE Schaumstoffe + 1 x 30ppi Schaum-MECHANISCHE FILTRATION + 2 x 20ppi SEITLICHE Schaumstoffe + 1 PATRONE gefüllt mit BIOPEARL- BIOLOGISCHE FILTRATION + 2 x 20ppi SEITLICHE Schaumstoffe + 1 PATRONE gefüllt mit ZEROPHOS - CHEMISCHE FILTRATION

Die Innenpatrone kann mit Sicce-Filtermedien (empfohlen) oder anderen wiederbefüllt werden.

# HAUPTMERKMALE

## Komponenten & Ersatzteile

- 1) MAGNETHALTER für Glasstärke bis **12mm - 1/2"** . (Abb. 1A)
- 2) MAGNETISCHE Verbindung von Filterkopf und Filterkörper für einfache Entnahme und Reinigung. (Abb. 1B)
- 3) Aufklappbare Schublade der Filtermodule. (Abb. 2)
- 4) 30% größere Filterfläche, die einen kristallklaren Wasserprozess und ein gewinnbringendes Filtersystem sichert.
- 5) SPRÜHBALKEN mit einem diskreten Design, das die Sicht auf das Aquarium bewahrt und die Sauerstoffanreicherung des Wassers ständig verbessert. (Abb. 3)
- 6) Wiederaufladbare Patrone mit einer großen Kapazität, um verschiedene Filtermedien verwenden zu können. (Abb. 4)

## Filter-Montagesystem (Abb. 5)

Filter-Kopf

Sicce Magnetisches Verbindungssystem

Modulares Filtergehäuse

Das Magnetgitter kann mit nur einem Klick herausgeschoben werden

Magnetgitter

## Wie Man Den Filter Auf Das Glas Hängt (Abb. 6)

Befestigen Sie die Komponente **A** in der quadratischen Nut **B**, die sich auf der Rückseite des Filterkopfes befindet.

Dann positionieren Sie das Bauteil **C** zum Glas und hängen es an den Filter.

Die Magnetkraft hält es fest.

**TIPPS:** Sobald der Filter positioniert ist, müssen Sie die Magnethalterung **A+C** nicht mehr entfernen, um den Filter aus dem Aquarium zu nehmen. Sie können SHARK PRO einfach abnehmen und die Magnethalterung am Glas befestigt lassen. (Abb. 7)

## Wasserdurchfluss-Modi (Abb. 8-9)

Separate und individuelle Eingänge an jedem Modul lassen das Wasserdurchflusssystem auf die effizienteste Art und Weise arbeiten, um Verstopfungen zu verhindern und eine gleichmäßige Bewegung des Wassers durch den Filter zu ermöglichen.

**REGELUNG AN DER OBERSEITE** von Min bis Max (Abb. 9A)

**UNIDIREKTIONAL** (Abb. 9B)

**DEFLEKTOR MIT SCHALLDÄMPFER** - Sauerstoffanreicherung (Abb. 9C)

**SPRÜHBALKEN** (Abb. 9D)

Um versehentliche Wasserspritzer auf dem Boden zu vermeiden, empfehlen wir, den Filter auszustecken, bevor Sie vom Uni-direktionalen Modus in den Sprühbalkenmodus wechseln. (Abb. 10) Um die beste Leistung und Sauerstoffanreicherung zu erreichen, positionieren Sie den Filter vollständig untergetaucht. Eine übermäßige Sauerstoffanreicherung könnte zu viel CO<sub>2</sub> absondern, was für gesunde Pflanzen hilfreich ist und die Erhöhung des PH-Wertes verhindert.

EN

IT

DE

FR

ES

NL

PT

RU

CZ

CN

KR

EN

## Sprühbalken-Löcher

Es ist ratsam, die Löcher immer frei von kleinen Filamenten oder Algen zu halten, die den Fluss reduzieren könnten.

IT

## WARTUNG

### Tiefenreinigung - verwenden sie SICCE PUMPCLEAN (Abb. 11)

Es ist wichtig, Ihren Sicce-Filter in einem optimalen Betriebszustand zu halten, um eine lange Lebensdauer und einen effizienten Betrieb zu gewährleisten. Im Laufe der Zeit bilden sich natürliche mineralische Ablagerungen auf der Filteroberfläche und dem Rotor, die unbehandelt zu unerwünschtem Betrieb oder sogar zum Ausfall führen können. Sicce PUMPCLEAN ist eine hochkonzentrierte, aber völlig sichere Lösung, um diese Ablagerungen zu entfernen und Ihren Filter in Topform zu halten.

DE

FR

ES

### Die Wichtigsten Komponenten, Die Gereinigt Werden Müssen, Um Ihren Filter Wieder In Einen Optimalen Zustand Zu Versetzen. (Abb. 12)

#### - Rotor

NL

Drehen Sie diese Komponente, die sich unterhalb des Filterkopfes befindet, von rechts nach links, um den Filterkopf anzuheben. Der Rotor befindet sich in der Mitte des Moduls und lässt sich leicht herausnehmen. Für eine perfekte Reinigung lassen Sie ihn ca. 30 Minuten in Wasser + Sicce PumpClean eintauchen und spülen ihn dann mit einer weichen Bürste ab, um hartnäckige Ablagerungen zu entfernen.

PT

#### - Filtermodule Gitter

RU

Es ist ratsam, das Gitter immer frei von kleinen Filamenten oder Algen zu halten, welche die Löcher blockieren und den Durchfluss verringern könnten

Es ist nicht notwendig, das Filtermedium zu entfernen; die Reinigung kann von der Außenseite des Filters erfolgen.

CZ

## SYSTEM ZUM AUSTAUSCHEN DER FILTERMEDIEN

### Biologische und chemische Filtration

CN

Die innere Patrone kann vollständig ersetzt werden, indem neue, im Handel erhältliche und gebrauchsfertige Patronen gekauft werden ODER sie kann geöffnet und mit dem empfohlenen Sicce-Filtermedium oder einem anderen auf dem Markt erhältlichen Medium wiederbefüllt werden.

KR

Die Patrone oder das Filtermedium sollte alle 4-6 Wochen ausgetauscht werden.

### Mechanische Filtration

Spülen Sie die Schaumstoffe regelmäßig aus und ersetzen Sie sie in etwa 6-8 Wochen, um ein kristallklares Wasseraquarium zu erhalten.

## AKTUALISIERUNG (Abb. 13)

Der SHARK PRO Filter kann durch Hinzufügen einer zusätzlichen Einheit (als Ersatzteil erhältlich) aufgerüstet werden. Sie können so viele Einheiten hinzufügen, wie Sie für temporäre Wasserbehandlungen oder zur Verbesserung des Filtrationsmoduls benötigen.

## SHARK PRO kann VERTIKAL & HORIZONTAL verwendet werden (Abb.14)

Der Filter kann horizontal oder vertikal positioniert werden, und die Module des Filters können dank einer doppelten Befestigung des Sockels gedreht werden.

Bei niedrigem Wasserstand, wie z.B. bei Schildkröten oder Paludarium, wird der Sockel des Filters horizontal auf dem Boden des Beckens aufliegen. In diesem Fall empfehlen wir, schwerere Filtermedien zu verwenden, da der Auftrieb des Filters, der in dieser speziellen Anwendung nicht notwendig ist, zu einem Problem werden könnte.

## ENTSORGUNG (NACH RL2002/96/EC)

Gerät darf nicht dem normalen Hausmüll beifügt werden, sondern muss fachgerecht entsorgt werden. Wichtig für Deutschland: Gerät über Ihre kommunale Entsorgungsstelle entsorgen. Entsorgung von Altgeräten: Wenn dieses Symbol eines durchgestrichenen Abfallimers auf einem Produkt angebracht ist, unterliegt dieses Produkt der europäischen Richtlinie 2002/96/EC. Alle Elektro- und Elektronik-Altgeräte müssen getrennt vom Hausmüll über die dafür staatlich vorgesehenen Stellen entsorgt werden. Mit der ordnungsgemäßen Entsorgung des alten Geräts vermeiden Sie Umweltschäden und eine Gefährdung der persönlichen Gesundheit. Weitere Informationen zur Entsorgung des alten Geräts erhalten Sie bei der Stadtverwaltung, beim Entsorgungsamt oder in dem Geschäft, wo Sie das Produkt erworben haben.

## GARANTIE

BECHRÄNKTE GARANTIE "SICCE garantiert dem ursprünglichen Käufer dieses Produkt (siehe Ausschlüsse unten) für einen Zeitraum von drei (3) Jahren ab dem ursprünglichen Kaufdatum gegen Material- und Verarbeitungsfehler, mit Ausnahme des Pumpenlauftrags, das für einen Zeitraum von sechs (6) Monaten garantiert wird. Diese Garantie beschränkt sich nur auf die Reparatur oder den Ersatz (nach Wahl von Sicce) des defekten Produkts und deckt nicht den Verlust von Aquarienleben, Personen- oder Sachschäden oder Schäden, die durch den Gebrauch des Produkts entstehen. Wir empfehlen, den Original-Kaufbeleg aufzubewahren, um die Garantie zu bestätigen. Garantieansprüche müssen bei dem Händler eingereicht werden, bei dem Sie das Produkt gekauft haben. Bei Nichtvorlage des der Reklamation beigefügten Kaufbelegs erlischt der Anspruch auf die Garantie. Durch die Verbindung mit der Website [www.sicce.com](http://www.sicce.com), in der entsprechenden Sitzung, können Sie Hilfe anfordern, wenn es nicht möglich war, den Händler zu kontaktieren. Auch in diesem Fall ist der Kaufnachweis eine Grundvoraussetzung für die korrekte Durchführung des Rückgabeverfahrens. Die hierin enthaltene Garantie läuft parallel zu und nicht zusätzlich zu den gesetzlich vorgeschriebenen Mindestgarantiezeiten. Der Antragsteller muss eine "Warenrücksendegenehmigung" einholen, bevor er ein Produkt zur Gewährleistung oder zum technischen Service einsendet. Der Käufer trägt die Kosten für den Versand zum und vom Service-Center oder zur Reparaturstation. AUSSCHLÜSSE. Von dieser Garantie ist Folgendes ausgeschlossen: \*Schäden, die auf einen Unfall, unsachgemäßen Gebrauch, Missbrauch, Mangel an angemessener Sorgfalt, eine nicht normale oder gewöhnliche Verwendung des Produkts, die Verwendung des

EN

IT

DE

FR

ES

NL

PT

RU

CZ

CN

KR

EN

Projekts unter anormalen Arbeitsbedingungen oder andere Fehler, die nicht auf Material- oder Verarbeitungsfehler zurückzuführen sind, zurückzuführen sind. \*Schäden, die durch Modifikation, Manipulation oder Reparaturversuche durch andere Personen als Sicce oder deren Beauftragte entstanden sind. \* Weitergabe des Produkts an eine andere Person als den ursprünglichen Käufer. \* Anschluss des Produkts an einen Stromanschluss, der nicht in der Verpackung angegeben ist; der ursprüngliche Käufer ist für die Bereitstellung angemessener elektrischer Einrichtungen verantwortlich.“

IT

DE

**FINDEN SIE HERAUS, WIE SIE 5 JAHRE GARANTIE FÜR IHR PRODUKT BEKOMMEN.**

FR

Um unseren Service und die Zufriedenheit unserer Kunden zu verbessern, bietet Sicce die Möglichkeit, die Garantie um 2 Jahre (insgesamt 5 Jahre) zu verlängern, indem Sie Ihr Produkt einfach auf unserer Website [www.sicce.com](http://www.sicce.com), unter "Unterstützung/Produktregistrierung" registrieren.

ES

Vielen Dank für die gewährte Präferenz & viel Spaß mit Ihrem neuen **SHARK PRO!**

NL

PT

RU

CZ

CN

KR

Les NOUVEAUX filtres internes SHARK PRO sont conçus pour permettre en peu de temps une filtration optimale. Grâce à sa combinaison polyvalente de médias mécaniques, biologiques et chimiques inclus on améliore significativement la qualité de l'eau. Un large choix d'autres médias filtrants SICCE sont disponibles pour effectuer des traitements spécifiques en fonction des besoins de chaque aquarium.

EN

IT

DE

FR

ES

NL

PT

RU

CZ

CN

KR

## NORMES DE SECURITE

**SHARK PRO** est conforme aux normes de sécurité nationales et internationales.

**1)** Veuillez vérifier que la tension indiquée sur l'étiquette du filtre corresponde bien à celle de votre réseau électrique. Cet appareil électrique doit être alimenté par l'intermédiaire d'un disjoncteur différentiel (dit de sécurité) avec un seuil de déclenchement inférieure ou égal à 30mA. **2)** Le filtre peut fonctionner seulement immergé dans l'eau. **3)** Avant de connecter l'appareil électrique au réseau, veuillez vérifier que le câble d'alimentation ne soit pas endommagé. **4)** Le filtre est construit avec une liaison électrique de type «Z». Le câble et la prise ne peuvent être ni remplacés ni réparés. En cas de dommages du câble ou de la prise, il est nécessaire de remplacer tout le filtre. **5) ATTENTION:** déconnecter tous les appareils électriques immergés avant une quelconque manutention dans l'eau. Si la prise de courant est mouillée ou humide, déconnecter l'interrupteur général avant de débrancher la prise. **6)** Pour éviter des dommages au moteur, la pompe ne doit JAMAIS fonctionner sans eau. **7)** Le filtre peut être utilisée dans des liquides ou des ambiances dont les températures ne dépassent pas 35° C / 95° F. **8)** Ne pas utiliser l'appareil pour des applications différentes de celles pour lesquelles il a été conçu, comme par exemple un fonctionnement en salles de bain ou équivalent. **9)** Eviter un fonctionnement du filtre avec des liquides corrosifs ou abrasifs. **10)** Cet appareil n'a pas été conçu pour une utilisation par des personnes (y compris des enfants) ayant une capacité physique, sensorielle ou mentale réduite, sauf en cas de surveillance par une tierce personne responsable de leur sécurité. S'assurer que les enfants ne touchent pas cet appareil. **11)** Pour éviter que des gouttes d'eau coulent le long du câble électrique et mouillent la prise de courant ou la prise sur le mur, il est nécessaire d'effectuer une boucle du câble en-dessous du niveau de la prise de courant (*Fig. A*). **12)** Ne pas tirer le filtre par le câble d'alimentation pour le déplacer ou le soulever pendant l'installation ou l'entretien. **13)** Le filtre ne peut être utilisée que pour les applications ci-dessus, il est destinée à un fonctionnement en intérieur.

## SUPPORT DE FILTRE INCLUS

**SHARK PRO 500** = 2 mousses LATÉRALES de 20 ppi + 1 mousse de 30 ppi - FILTRATION MÉCANIQUE

**SHARK PRO 700** = 2 mousses LATÉRALES de 20 ppi + 1 mousse de 30 ppi - FILTRATION MÉCANIQUE + 2 mousses LATÉRALES de 20 ppi + 1 CARTOUCHE remplie de BIOPEARL - FILTRATION BIOLOGIQUE

**SHARK PRO 900** = 2 mousses LATÉRALES 20 ppi + 1 mousse 30 ppi - FILTRATION MÉCANIQUE +2 mousses LATÉRALES 20 ppi + 1 CARTOUCHE REMPLIE de BIOPEARL - FILTRATION BIOLOGIQUE + 2 mousses LATÉRALES 20 ppi + 1 CARTOUCHE remplie de ZEROPHOS - FILTRATION CHIMIQUE

La cartouche intérieure peut être rechargée en utilisant Sicce Filter Media

EN

(recommandé) ou tout autre.

IT

DE

FR

ES

NL

PT

RU

CZ

CN

KR

## PRINCIPALES CARACTÉRISTIQUES

### Composants Et Pièces De Rechange

- 1) SUPPORT MAGNÉTIQUE pour une épaisseur de verre allant jusqu'à 12mm - 1/2" . (Fig. 1A)
- 2) Connexion MAGNÉTIQUE de la tête de filtre et du corps de filtre pour des opérations de retrait et de nettoyage faciles. (Fig. 1B)
- 3) Tiroir d'ouverture des modules filtrants. (Fig. 2)
- 4) Surface de filtre 30 % plus grande fixant un processus d'eau cristalline et un système de filtration gagnant.
- 5) BARRE DE PULVÉRISATION au design discret qui préserve la vue de l'aquarium en améliorant constamment l'oxygénation de l'eau. (Fig.3)
- 6) Cartouche rechargeable avec une grande capacité pour contenir différents médias filtrants. (Fig.4)

### Système D'assemblage Du Filtre (Fig.5)

Tête de filtre

Système de connexion magnétique Sicce

Boîtier de filtre modulaire

La grille magnétique peut être retirée en la faisant glisser d'un seul clic  
Grille magnétique

### Comment Accrocher Le Filtre Au Verre (Fig.6)

Fixer le composant **A** dans la rainure carrée **B** qui se trouve sur le côté arrière de la tête du filtre.

Positionner ensuite le composant **C** sur la vitre et l'accrocher au filtre.

La force magnétique le maintiendra stable.

**ASTUCES:** Une fois le filtre positionné, il n'est pas nécessaire de retirer le support d'aimant **A+C** pour retirer le filtre de l'aquarium. Vous pouvez simplement retirer le SHARK PRO en laissant le support magnétique fixé sur la vitre. (Fig.7)

### Modes D'écoulement De L'eau (Fig.8-9)

Des entrées séparées et individuelles sur chaque module permettent au système d'écoulement de l'eau de fonctionner de la manière la plus efficace pour prévenir l'encrassement et permet à l'eau de maintenir un mouvement constant à travers le filtre.

**RÉGULATION SUR LE HAUT** de Min à Max (Fig.9A)

**UNIDIRECTIONNEL** (Fig.9B)

**DÉFLECTEUR AVEC SILENCIEUX** - Enrichissement en oxygène (Fig.9C)

**SPRAYBAR** (Fig.9D)

Pour éviter les éclaboussures d'eau accidentelles sur le sol, nous vous recommandons de débrancher le filtre avant de passer du mode unidirectionnel au mode spraybar. (Fig.10) Pour atteindre la meilleure performance et l'enrichissement en oxygène, repositionner le filtre complètement immergé. Une oxygénation excessive pourrait entraîner une déperdition excessive de CO2, ce qui est bénéfique pour la santé des plantes et pour prévenir l'augmentation de PH.



## Trous De La SprayBar

Il est conseillé de garder les trous toujours libres de petits filaments ou d'algues qui pourraient réduire le débit.

EN

IT

DE

FR

## ENTRETIEN

### Nettoyage en profondeur - utiliser le sicce PUMPCLEAN (Fig.11)

Il est important de maintenir votre filtre Sicce en parfait état de fonctionnement pour assurer une longue durée de vie et un fonctionnement efficace. Au fil du temps, des dépôts minéraux naturels se formeront à la surface du filtre et du rotor et, s'ils ne sont pas traités, ils peuvent provoquer un mauvais fonctionnement, voire une panne. Le Sicce PUMPCLEAN est une solution super concentrée, totalement sûre pour éliminer ces dépôts et garder votre filtre en parfait état.

ES

NL

PT

RU

## Composants Clés À Nettoyer Pour Remettre Votre Filtre En Condition Optimale. (Fig.12)

### - Rotor

Tourner ce composant, situé sous la tête du filtre, de droite à gauche, pour soulever la tête du filtre. Le rotor est au milieu du module et sera facilement amovible. Pour un nettoyage parfait, le laisser plongé dans l'eau + Sicce PumpClean pendant environ 30 minutes, puis le rincer à l'aide d'une brosse douce pour éliminer les dépôts tenaces. Remonter le filtre selon les opérations précédentes.

### - Grille des modules du filtre

Il est conseillé de toujours maintenir la grille exempte de petits filaments ou d'algues qui pourraient bloquer les trous et réduire le débit

Il n'est pas nécessaire d'enlever le média filtrant et le nettoyage peut être effectué à partir du côté extérieur du filtre.

CZ

CN

KR

## SYSTÈME DE REMPLACEMENT DU MÉDIA FILTRANT

### Filtration biologique et chimique

La cartouche interne peut être totalement remplacée en achetant de nouvelles cartouches disponibles en magasin et prêtes à l'emploi OU peut être ouverte et rechargée avec le média filtrant Sicce recommandé ou tout autre produit disponible sur le marché.

La cartouche ou le média filtrant doivent être remplacés toutes les 4 à 6 semaines.

### Filtration mécanique

Rincer régulièrement les mousses et les remplacer toutes les 6 à 8 semaines pour conserver un aquarium avec de l'eau cristalline.

## MISE À NIVEAU (Fig.13)

Le filtre SHARK PRO peut être mis à niveau en ajoutant une unité supplémentaire (disponible comme pièce de rechange). Vous pouvez en ajouter autant que nécessaire pour les traitements temporaires de l'eau ou pour améliorer le module de filtration.

EN

## SHARK PRO peut être utilisé VERTICALEMENT et HORIZONTALEMENT (Fig.14)

Le filtre peut être positionné horizontalement ou verticalement et les modules du filtre peuvent être tournés grâce à un double montage de la base

IT

Lorsqu'il est utilisé avec un faible niveau d'eau, selon le kit Turtles ou paludarium, le filtre se basera sur le fond du réservoir de manière horizontale. Dans ce cas, nous recommandons d'utiliser des médias filtrants plus lourds car la flottabilité du filtre, qui n'est pas nécessaire dans cette application spécifique, pourrait devenir un problème.

DE

FR

## INSTRUCTIONS POUR LA DÉCHARGE CORRECTE DU PRODUIT SELON L'EU 2002/96/EC DIRECTIF

Une fois utilisé ou cassé, le produit ne doit pas être jeté dans les poubelles domestiques mais dans les conteneurs spécialement prévus pour ce type de produits. Il peut être livré aux centres de rebut électriques spécifiques de collection ou aux distributeurs qui donnent ce service. Décharger séparément un outil électrique évite des conséquences négatives pour l'environnement et pour la santé et permet de régénérer les matériaux pour avoir une grande économie d'énergie et des ressources naturelles.

ES

NL

PT

## GARANTIE

GARANTIE LIMITÉE « SICCE » garantit ce produit (voir Exclusions ci-dessous) à l'acheteur d'origine contre les défauts de matériaux et de fabrication pendant une période de trois (3) ans à compter de la date d'achat d'origine, à l'exception de la turbine de la pompe, qui est garantie pour une période de six (6) mois. Cette garantie est limitée à la réparation ou au remplacement (au choix de Sicce) du produit défectueux uniquement et ne couvre pas la perte de vie dans l'aquarium, les blessures corporelles, la perte de propriété ou les dommages résultant de l'utilisation du produit. Nous vous recommandons de conserver la preuve d'achat originale pour valider la garantie. Les réclamations de garantie doivent être soumises au détaillant où vous avez acheté le produit. Ne pas présenter une preuve d'achat jointe à la réclamation invalidera le droit à la garantie. En vous connectant au site [www.sicce.com](http://www.sicce.com), dans la session appropriée, vous pouvez demander une assistance s'il n'a pas été possible de contacter le revendeur. Dans ce cas également, la preuve d'achat sera une exigence fondamentale pour la bonne exécution de la procédure de retour. Toute garantie dans le présent document fonctionnera en même temps que les périodes de garantie minimales établies par la loi applicable et pas au-delà. Le demandeur doit obtenir une « Autorisation de retour de la marchandise » au moment du dépôt avant d'envoyer tout produit pour la garantie ou le service technique. Les frais d'expédition vers et depuis le centre de service ou la station de réparation sont à la charge de l'acheteur. EXCLUSIONS. Cette garantie ne couvre pas les éléments suivants : \*Les dommages résultant d'un accident, d'une mauvaise utilisation, d'un abus, d'un manque de soin raisonnable, d'une utilisation du produit autre que normale ou ordinaire, de l'utilisation du projet dans des conditions de travail anormales ou de toute autre défaillance ne résultant pas de défauts de matériaux ou de fabrication. \*Dommages résultant d'une

RU

CZ

CN

KR

modification, d'une altération ou d'une tentative de réparation par une personne autre que Sicce ou son mandataire. \*Transfert du produit à une personne autre que l'acheteur initial. \*Soumettre le produit à un fonctionnement électrique non spécifié dans l'emballage; l'acheteur initial est responsable de fournir des installations électriques adéquates ».

**DÉCOUVREZ COMMENT GARANTIR VOTRE PRODUIT PENDANT 5 ANS.**

Pour améliorer notre service et la satisfaction de nos clients, Sicce offre la possibilité d'ajouter une extension de 2 ans (5 ans au total) à la garantie en enregistrant simplement votre produit sur notre site Web [www.sicce.com](http://www.sicce.com), dans « Support/ enregistrement du produit ».

Merci pour la préférence accordée et profitez de votre nouveau **SHARK PRO!**

EN

IT

DE

FR

ES

NL

PT

RU

CZ

CN

KR

EN

Los NUEVOS filtros internos SHARK PRO, están diseñados para alcanzar en poco tiempo una filtración eficiente del acuario y del agua cristalina. Utilizando una combinación versátil de medios mecánicos, biológicos y químicos que se incluyen. Una gran selección de otros medios filtrantes SICCE están disponibles para realizar muchas de las tareas avanzadas de filtración necesarias para los acuarios de plantas - acuarismo y tratamientos especiales del agua.

IT

DE

## NORMAS DE SEGURIDAD

**SHARK PRO** está conforme con las normas de seguridad nacionales y internacionales.

FR

**1) Atención:** controle el voltaje de los filtro que aparece en la etiqueta y asegúrese que sea igual de la tensión eléctrica. Se aconseja que los filtro, como todos los demás dispositivos eléctricos, esté protegido en su origen, por un interruptor especial diferencial (salvavidas) con corriente de intervención no superior a 30mA.

ES

**2)** Los filtros pueden funcionar solamente sumergidos en agua. **3)** Antes de poner en funcionamiento el producto, verificar la integridad de todas sus partes y sobre todo comprobar que el cable y los filtro no estén dañados de ninguna manera. **4)**

NL

El cable de alimentación no puede ser reparado ni sustituido (Cable con conexión Z), por lo que en caso de que se estropee, habrá que demoler el aparato. **5)**

PT

**ATENCIÓN:** Antes de intervenir en los filtro, hay que desconectar siempre la alimentación. Para reducir los riesgos de shock accidentales, mantener secas todas las conexiones. **6)** No accionar los filtro si no está completamente sumergida en el agua o, en modalidad "Dry" si no pasa agua en el rotor. **7)** Los filtro no puede funcionar en seco o con líquidos con temperatura superior a 35° C / 95° F. **8)**

RU

No utilice la bomba para fines distintos de aquellos para los que fue hecho, por ejemplo, en cuartos de baño o aplicaciones similares. **9)** Evitar el utilizo de los filtro en líquidos corrosivos y abrasivos. **10)** El aparato no puede ser utilizado por personas con discapacidad y por niños sin vigilancia. **11)** Al conectarlos filtro en la

CZ

toma de corriente, el punto más bajo del cable tiene que encontrarse por debajo de la toma de corriente, al fin de evitar que gotas de agua presentes en el cable puedan entrar accidentalmente en el enchufe (*Fig. A*). **12)** No cortar el cable de alimentación y no tirar del mismo para quitar la alimentación. **13)** Esto filtro tiene que ser utilizada exclusivamente en interiores de viviendas.

CN

KR

## MEDIOS FILTRANTES INCLUIDOS

**SHARK PRO 500** = 2 X 20ppi Espumas LATERALES + 1 x 30ppi Espuma-FILTRACIÓN MECÁNICA

**SHARK PRO 700** = 2 Espumas LATERALES de 20ppi + 1 Espuma de 30ppi - FILTRACIÓN MECÁNICA + 2 Espumas LATERALES de 20ppi + 1 CARTUCHO relleno de BIOPEARL - FILTRACIÓN BIOLÓGICA

**SHARK PRO 900** = 2 Espumas LATERALES de 20ppi + 1 Espuma de 30ppi - FILTRACIÓN MECÁNICA + 2 Espumas LATERALES de 20ppi + 1 CARTUCHO con BIOPEARL - FILTRACIÓN BIOLÓGICA + 2 Espumas LATERALES de 20ppi + 1 CARTUCHO relleno con ZEROPHOS - FILTRACIÓN QUÍMICA

El cartucho interior puede ser relleno utilizando el medio filtrante Sicce (recomendado) o cualquier otro.

# CARACTERÍSTICAS PRINCIPALES

## Componentes Y Repuestos

- 1) SOPORTE MAGNETICO para cristales de hasta **12mm - 1/2"** . (Fig.1A)
- 2) Conexión magnética del cabezal y el cuerpo del filtro para facilitar las operaciones de extracción y limpieza. (Fig. 1B)
- 3) Cajón de apertura de los módulos de filtrado. (Fig. 2)
- 4) Una superficie de filtrado un 30% mayor que sujeta un proceso de agua cristalina y un sistema de filtración ganador.
- 5) BARRA DE PULVERIZACIÓN con un diseño discreto que preserva la vista del acuario mejorando constantemente la oxigenación del agua. (Fig.3)
- 6) Cartucho recargable de gran capacidad para contener diferentes medios filtrantes. (Fig.4)

## Sistema De Montaje De Filtros (Fig.5)

Cabezal del filtro

Sistema de conexión magnética Sicce

Estuche modular para el filtro

La rejilla magnética se puede quitar deslizándola con sólo 1 clic

Rejilla magnética

## Cómo Colgar El Filtro Al Cristal (Fig.6)

Fije el componente **A** en la ranura cuadrada **B** que se encuentra en la parte posterior de la cabeza del filtro.

A continuación, coloque el componente **C** en el cristal y cuélguelo en el filtro.

La fuerza magnética lo mantendrá fijo.

**CONSEJOS:** Una vez colocado el filtro, no es necesario retirar el soporte magnético para sacar el filtro del acuario. Puede simplemente retirar el SHARK PRO, dejando el soporte magnético fijado en el cristal. (Fig.7)

## Modos De Flujo De Agua (Fig.8-9)

Las entradas separadas e individuales en cada módulo permiten que el sistema de flujo de agua trabaje de la manera más eficiente evitando atascos y permite que el agua mantenga un movimiento consistente a través del filtro.

**RÉGULACIÓN EN LA PARTE SUPERIOR DE MÍNIMA A MÁXIMA (Fig. 9A)**

**UNIDIRECCIONAL (Fig.9B)**

**DEFLECTOR CON SILENCIADOR** - Enriquecimiento de oxígeno (Fig.9C)

**BARRA DE ESPACIAMIENTO (Fig.9D)**

Para evitar salpicaduras accidentales de agua en el suelo, se recomienda desenchufar el filtro antes de pasar del modo unidireccional al modo barra de pulverización. (Fig.10) Para alcanzar el mejor enriquecimiento y rendimiento de oxígeno, coloque el filtro completamente sumergido. Una oxigenación excesiva podría desprender demasiado CO<sub>2</sub>, que es útil para la salud de las plantas y para evitar el aumento del PH.

## Orificios De La Barra De Espaciamiento

Es aconsejable mantener los agujeros siempre libres de pequeños filamentos o

EN

IT

DE

FR

ES

NL

PT

RU

CZ

CN

KR

EN

algas que podrían reducir el flujo.

IT

## MANTENIMIENTO

Limpieza a fondo - **Utilice SICCE PUMPCLEAN** (Fig.11)

Es importante mantener su filtro Sicce en óptimas condiciones de funcionamiento para asegurar una larga vida útil y una operación eficiente. Con el tiempo, se forman depósitos minerales naturales en la superficie del filtro y en el rotor, y si no se tratan, pueden causar un funcionamiento indeseable o incluso un fallo. Sicce PUMPCLEAN es una solución superconcentrada, pero completamente segura, para eliminar estos depósitos y mantener su filtro en plena forma.

DE

FR

## Componentes Clave A Limpiar Para Que Su Filtro Vuelva A Estar En Óptimas Condiciones. (Fig. 12)

### - Rotor

Gire este componente, situado debajo de la cabeza del filtro, de derecha a izquierda, para levantar la cabeza del filtro. El rotor se encuentra en el centro del módulo y será fácilmente extraíble. Para una limpieza perfecta, déjelo sumergido en agua + Sicce Pump Clean durante unos 30 minutos, luego aclárelo con un cepillo suave para eliminar los depósitos más resistentes. Vuelva a montar el filtro según las operaciones anteriores.

ES

NL

### - Rejilla de los módulos del filtro

Es aconsejable mantener la rejilla siempre libre de pequeños filamentos o algas que podrían bloquear los agujeros y reducir el flujo

PT

No es necesario retirar el material filtrante pudiéndose realizar la limpieza desde la cara externa del filtro.

RU

## SISTEMA DE SUSTITUCIÓN DE LOS MEDIOS FILTRANTES

CZ

### Filtración biológica y química

El cartucho interior puede ser sustituido totalmente comprando uno nuevo disponible en la tienda y listo para usar. O puede ser abierto y relleno con el medio filtrante Sicce recomendado o cualquier otro disponible en el mercado.

CN

El cartucho o el medio filtrante debe ser reemplazado cada 4-6 semanas.

KR

### Filtración mecánica

Aclare las espumas regularmente y sustitúyalas en unas 6-8 semanas para conservar un acuario de agua cristalina.

## ACTUALIZACIÓN (Fig.13)

El filtro Shark Pro puede ser mejorado añadiendo una unidad extra (disponible como pieza de recambio). Puede añadir tantas como sean necesarias para tratamientos temporales del agua o para mejorar el módulo de filtración.

## SHARK PRO puede ser utilizado verticalmente y horizontalmente (Fig.14)

El filtro puede colocarse en horizontal o en vertical y los módulos del filtro pueden girarse gracias a un doble ajuste de la base.

Cuando se utiliza con un nivel de agua bajo, como en el caso del kit de tortugas o el paludario, el filtro se apoyará en el fondo del tanque de forma horizontal. En este caso, se recomienda utilizar medios filtrantes más pesados ya que la flotabilidad del filtro, no necesaria en esta aplicación específica, pudiendo convertirse en un problema.

EN

IT

DE

FR

ES

NL

PT

RU

CZ

CN

KR

## **INSTRUCCIONES PARA DESHACERSE DEL PRODUCTO DE ACUERDO CON LA DIRECTIVA EUROPEA 2002/96/EC**

Si en un producto aparece el símbolo de un contenedor de basura tachado, significa que éste se acoge a la Directiva 2002/96/EC. Todos los aparatos eléctricos o electrónicos se deben desechar de forma distinta al servicio municipal de recogida de basuras, a través de los puntos de recogida designados por el gobierno o las autoridades locales. La correcta recogida y tratamiento de los dispositivos inservibles contribuye a evitar riesgos potenciales para el medio ambiente y la salud pública. Para obtener más información sobre cómo deshacerse de sus aparatos eléctricos y electrónicos viejos, póngase en contacto con su ayuntamiento, el servicio de recogida de basuras o el establecimiento donde adquirió el producto.

## **GARANTIA**

**GARANTÍA LIMITADA** "SICCE garantiza este producto (ver Exclusiones más abajo) al comprador original contra defectos de materiales y mano de obra durante un período de tres (3) años a partir de la fecha de compra original, excepto el impulsor de la bomba, que está en garantía por un período de seis (6) meses. Esta garantía se limita a la reparación o sustitución (a elección de Sicce) del producto defectuoso y no cubre la pérdida de vida del acuario, las lesiones personales, la pérdida de propiedad o los daños derivados del uso del producto. Se recomienda conservar el comprobante de compra original para validar la garantía. Las reclamaciones de garantía deben presentarse en el establecimiento donde se compró el producto. Si no se presenta el comprobante de compra adjunto a la reclamación, se invalidará el derecho a la garantía. Conectándose a la página web [www.sicce.com](http://www.sicce.com), en la sesión correspondiente, podrá solicitar asistencia si no ha sido posible contactar con el distribuidor. También en este caso la prueba de compra será un requisito fundamental para la correcta ejecución del procedimiento de devolución. El plazo de la presente garantía será simultáneo, y no adicional, a los plazos mínimos de garantía establecidos por la legislación vigente. El reclamante deberá obtener una "Autorización de Devolución de Mercancía" en el momento de la presentación antes de enviar cualquier producto para su garantía o servicio técnico. El comprador corre con los gastos de envío de ida y vuelta al centro de servicio o estación de reparación. **EXCLUSIONES.** Esta garantía no cubre lo siguiente: \*Daños resultantes de accidentes, mal uso, abuso, falta de cuidado razonable, uso del producto que no sea el normal u ordinario, uso del proyecto en condiciones de trabajo anormales o cualquier otro fallo que no sea resultado de defectos en los materiales o en la mano de obra. \*Daños resultantes de la modificación, manipulación o intento de reparación por parte de cualquier persona que no sea Sicce o su representante. \* La transferencia del producto a alguien que no sea el comprador original. \* La exposición del producto a un servicio eléctrico no especificado en el embalaje;

EN

el comprador original es responsable de proporcionar las instalaciones eléctricas adecuadas”.

IT

**DESCUBRA CÓMO OBTENER UNA GARANTÍA DE 5 AÑOS PARA SU PRODUCTO.**

Para mejorar nuestro servicio y la satisfacción de nuestros clientes, Sicce ofrece la posibilidad de añadir una extensión de 2 años (5 años en total) a la garantía simplemente registrando su producto en nuestra página web [www.sicce.com](http://www.sicce.com), en “Soporte/registro del producto”.

DE

FR

Gracias por su preferencia y disfrute de su nuevo **SHARK PRO!**

ES

NL

PT

RU

CZ

CN

KR



De NIEUWE SHARK PRO interne filters zijn ontworpen om in korte tijd een efficiënte aquariumfiltratie en kristal helder water te verkrijgen met behulp van een veelzijdige combinatie van mechanische, biologische en chemische media die zijn bijgevoegd. Een grote selectie van andere SICCE-filtermedia is beschikbaar om veel van de geavanceerde filtertaken uit te voeren die nodig zijn voor plantenaquaria - aquascaping en speciale waterbehandelingen.

EN

IT

DE

FR

ES

NL

PT

RU

CZ

CN

KR

## VEILIGHEIDSNORMEN

**SHARK PRO** met zijn vele gebruiksmogelijkheden is conform de nationale en internationale veiligheidsnormen.

**1)** Controleer of de op het etiket van de filter aangeduide spanning overeenkomt met de spanning van het net. Het apparaat dient gevoed te worden door middel van een differentiële schakelaar (levenbeschermers) waarvan de nominale stroom lager of gelijk is aan 30mA. **2)** BELANGRIJK: het filter mag niet "droog" zonder water in werking zijn, dit om eventuele schade te voorkomen. **3)** Alvorens het apparaat op het net aan te sluiten, controleer of de kabel en/of de filter beschadigd zijn. **4)** De filter is vervaardigd met een verbinding van het type Z. De kabel en de stekker kunnen niet vervangen of gerepareerd worden; Bij beschadiging dient het hele apparaat vervangen te worden. **5)** **LET OP!** haal de stekker van alle elektrische producten uit het stopcontact voordat u onderhoud gaat uitvoeren of uw handen in het water steekt; als de stekker of de kabel nat zijn, schakel dan eerst de hoofdschakelaar uit voordat u de stekker uit het stopcontact haalt. **6)** De filter mag niet in werking worden gesteld zonder water om schade aan de motor te voorkomen. **7)** De filter mag niet worden gebruikt in vloeistoffen of in een omgeving met een temperatuur hoger dan 35° C / 95° F. **8)** Gebruik de filter niet voor andere doeleinden dan waarvoor de filter is ontworpen zoals in badkamers of dergelijke toepassingen. **9)** Laat het apparaat niet functioneren met uitbijtende- of wegvretendemiddelen. **10)** Dit apparaat is niet ontworpen om gebruikt te worden door personen (inclusief kinderen) met gereduceerde fysieke, zinnelijke en geestelijke capaciteiten, tenzij deze begeleid zijn door verantwoordelijke personen die zorg dragen voor hun veiligheid. **11)** Om te voorkomen dat druppels de stekker of het stopcontact nat maken, realiseer met de kabel een voorwendsel onder het niveau van het stopcontact (*Afb. A*). **12)** De filter niet optillen middels de voedingskabel tijdens de installatie en het onderhoud. **13)** De filter moet alleen gebruikt worden voor de hierboven genoemde applicaties en is uitsluitend bestemd voor een intern gebruik.

## INCLUSIEF FILTERMEDIA

**SHARK PRO 500** = 2 X 20PPI spons + 1 x 30ppi spons- MECHANISCHE FILTRATIE

**SHARK PRO 700** = 2 X 20PPI spons + 1 x 30ppi spons- MECHANISCHE FILTRATIE + 2 X 20ppi spons + 1 PATROON gevuld met BIOPEARL- BIOLOGISCHE FILTRATIE

**SHARK PRO 900** = 2 X 20PPI spons + 1 x 30ppi spons- MECHANISCHE FILTRATIE + 2 X 20ppi spons + 1 PATROON gevuld met BIOPEARL- BIOLOGISCHE FILTRATIE

+ 2 X 20ppi spons + 1 PATROON gevuld met ZEROPHOS - CHEMISCHE FILTRATIE

De binnenpatroon kan worden bijgevuld met Sicce Filter Media (aanbevolen) of een andere.

EN

## BELANGRIJKSTE KENMERKEN

### Componenten En Reserveonderdelen

- 1) MAGNETISCHE HOUDER voor glasdikte tot **12mm - 1/2"**. *(Afb. 1A)*
- 2) MAGNETISCHE verbinding van filterkop en filterlichaam voor eenvoudige verwijdering en reiniging. *(Afb. 1B)*
- 3) Lade van de filtermodules openen. *(Afb. 2)*
- 4) 30% groter filteroppervlak dat een kristalwaterproces en een winnend filtratiesysteem bevestigt.
- 5) SPRAYBAR met een discreet ontwerp die het zicht op het aquarium behoudt en de zuurstoftoevoer van het water voortdurend verbetert. *(Afb. 3)*
- 6) Oplaadbare patroon met een grote capaciteit om verschillende filtermedia te bevatten. *(Afb. 4)*

DE

FR

ES

### Filterassemblage *(Afb.5)*

Filterkop

Sicce Magnetic Connection System

Modulaire filterbehuizing

Het magnetische raster kan worden verwijderd door het met slechts 1 klik te verschuiven

Magnetisch raster

NL

PT

### Hoe De Filter Aan Het Glas Te Hangen *(Afb.6)*

Bevestig component **A** in de vierkante groef **B** aan de achterzijde van de filterkop.

Plaats vervolgens component **C** op het glas en hang aan het filter.

De magnetische kracht zal het stabiel houden.

**TIPS:** Nadat het filter is geplaatst, hoeft de magneethouder A+C niet meer te worden verwijderd om het filter uit het aquarium te verwijderen. U kunt SHARK PRO eenvoudig verwijderen en de magneethouder op het glas laten zitten. *(Afb.7)*

RU

CZ

### Waterstroom *(Afb.8-9)*

Afzonderlijke en individuele ingangen op elke module laten het waterstroomsysteem op de meest efficiënte manier werken om verstopping te voorkomen en zorgen ervoor dat het water een consistente beweging door het filter behoudt.

**REGELING AAN DE BOVENKANT** van Min tot Max *(Afb.9A)*

**UNIDIRECTIONEEL** *(Afb.9B)*

**DEFLECTOR MET GELUIDDEMPER** - Zuurstofverrijking *(Afb.9C)*

**SPRAYBAR** *(Afb.9D)*

Om te voorkomen dat er per ongeluk water op de vloer spat, raden we u aan de stekker uit het stopcontact te halen voordat u overschakelt van de unidirectionele modus naar de spraybar modus. *(Afb.10)* Om de beste prestaties en zuurstofverrijking te bereiken, plaatst u het filter volledig ondergedompeld. Overmatige oxygenatie kan te veel CO2 verspreiden, wat nuttig is voor gezonde planten en het verhogen van PH voorkomt.

CN

KR

### Gaten Voor SprayBar

Het is raadzaam om de gaten altijd vrij te houden van helmendraad of algen die de doorstroming kunnen verminderen.

## ONDERHOUD

### **Dieptereiniging - gebruik SICCE PUMPCLEAN *(Afb. 11)***

Het is belangrijk om uw Sicce Filter in topconditie te houden om een lange levensduur en efficiënte werking te garanderen. Na verloop van tijd, kan er natuurlijk mineraal afzettingen op het filteroppervlak en in de rotor komen, en indien onbehandeld, kan ongewenste werking of zelfs falen veroorzaken. Sicce PUMPCLEAN is een supergeconcentreerde, maar toch volledig veilige oplossing om deze afzettingen te verwijderen en uw filter in topvorm te houden.

### **Belangrijkste Onderdelen Die Moeten Worden Gereinigd Om Uw Filter In Optimale Conditie Te Houden. *(Afb. 12)***

#### **- Rotor**

Draai dit onderdeel, dat zich onder de kop van het filter bevindt, van rechts naar links om de kop van het filter omhoog te brengen. De rotor bevindt zich in het midden van de module en kan gemakkelijk worden verwijderd. Laat het voor een perfecte reiniging ongeveer 30 minuten onderdompelen in water + Sicce Pump Clean, spoel het vervolgens af en gebruik daarbij een zachte borstel om hardnekkige aanslag te verwijderen. Monteer het filter opnieuw volgens de vorige bewerkingen.

#### **- Filtermoduleraster**

Het is raadzaam om het raster altijd vrij te houden van heldraad of algen die de gaten kunnen blokkeren en de doorstroming kunnen verminderen

Het is niet nodig om de filtermedia te verwijderen en het reinigen kan worden gedaan vanaf de buitenkant van het filter.

## VERVANGINGSSYSTEEM FILTERMEDIA

### **Biologische en chemische filtratie**

Het patroon binnenin kan volledig worden vervangen door een nieuwe beschikbaar in de winkel en klaar voor gebruik OF kan worden geopend en bijgevuld met de aanbevolen Sicce Filter media of een andere medium beschikbaar op de markt.

Patroon of filtermedia moeten om de 4-6 weken worden vervangen.

### **Mechanische filtratie**

Spoel het schuim er regelmatig af en vervang ze in ongeveer 6-8 weken om een kristalwateraquarium te behouden.

### **UPGRADE *(Afb. 13)***

SHARK PRO Filter kan worden geüpgraded door het toevoegen van een extra Unit (beschikbaar als reserveonderdeel). U kunt er zoveel toevoegen als nodig is voor tijdelijke waterzuivering of om de filtermodule te verbeteren.

### **SHARK PRO kan VERTICAAL en HORIZONTAAL worden gebruikt *(Afb. 14)***

Het filter kan horizontaal of verticaal worden geplaatst en de modules van het filter kunnen worden gedraaid door een dubbele montage van de basis.

Bij gebruik met een laag waterpeil, zoals in de schildpaddenset of het paludarium, dient het filter horizontaal op de bodem van de tank te worden geplaatst. In dit geval raden we aan om zwaardere filtermedia te gebruiken, omdat het drijfvermogen van het filter, dat in deze specifieke toepassing niet nodig is, een probleem kan worden.

EN

IT

DE

FR

ES

NL

PT

RU

CZ

CN

KR

EN

## AANWIJZINGEN VOOR EEN JUISTE AFVOER VAN HET PRODUCT VOLGENS DE EUROPESE RICHTLIJN 2002/96/EC

IT

Aan het einde van zijn bruikbaarheidsduur, mag het product niet samen met het gemeentelijk afval worden afgevoerd. Het kan worden afgegeven bij de speciale gemeentelijke centra voor gescheiden afvalinzameling of bij verkopers die deze service aanbieden. Door huishoudelijke apparaten gescheiden te verwerken, kunnen mogelijk negatieve gevolgen voor het milieu en de gezondheid door een onjuiste verwerking worden vermeden en kunnen de materialen waaruit het bestaat worden teruggewonnen voor een aanzienlijke besparing van energie en bronnen.

DE

FR

## GARANTIE

ES

BEPERKTE GARANTIE "SICCE geeft aan de oorspronkelijke koper van dit product garantie (zie Uitsluitingen hieronder) tegen materiaal- en fabricagefouten gedurende een periode van drie (3) jaar vanaf de datum van oorspronkelijke aankoop, met uitzondering van de rotor van de pomp, die een garantie heeft voor een periode van zes (6) maanden. Deze garantie is beperkt tot reparatie of vervanging (naar keuze van Sicce) van het defecte product en dekt geen verlies van aquariumleven, persoonlijk letsel, verlies van eigendommen of schade als gevolg van het gebruik van het product. We raden u aan het originele aankoopbewijs te bewaren om de garantie te valideren. Garantieclaims moeten worden ingediend bij de detailhandelaar waar u het product hebt gekocht. Het niet overleggen van een aankoopbewijs bij de claim, maakt het recht op de garantie ongeldig. U kunt via de website [www.sicce.com](http://www.sicce.com), in de juiste sessie, om hulp vragen als het niet mogelijk is geweest om contact op te nemen met de dealer. Ook in dit geval is het aankoopbewijs een fundamentele vereiste voor de correcte uitvoering van de retourprocedure. Elke garantie hierin zal gelijktijdig lopen met, en niet in aanvulling op, eventuele minimale garantieperiodes die zijn vastgesteld door de toepasselijke wetgeving. De eiser moet een "Return Merchandise Authorization" verkrijgen op het moment van indiening voordat hij een product verzendt voor garantie of technische service. De verzendkosten van en naar het servicecentrum of reparatiestation zijn voor de koper. UITSLUITINGEN. Deze garantie dekt niet het volgende: \*Schade als gevolg van een ongeval, verkeerd gebruik, misbruik, gebrek aan redelijke zorg, gebruik van het product dat anders is dan normaal of gewoon, gebruik van het project in abnormale werkomstandigheden of andere storingen die niet het gevolg zijn van materiaal- of fabricagefouten. \*Schade als gevolg van modificatie, manipulatie of poging tot reparatie door iemand anders dan Sicce of diens aangewezen persoon. \* Overdracht van het product aan iemand anders dan de oorspronkelijke koper. \* Het product onderwerpen aan een elektrische dienst die niet in de verpakking is gespecificeerd; de oorspronkelijke koper is verantwoordelijk voor het leveren van adequate elektrische faciliteiten."

NL

PT

RU

CZ

CN

KR

## ONTDEK HOE U UW PRODUCT GEGARANDEERD KRIJGT VOOR 5 JAAR.

Om onze service en de tevredenheid van onze klanten te verbeteren, biedt Sicce de mogelijkheid om de garantie met 2 jaar (in totaal 5 jaar) te verlengen door uw product eenvoudig te registreren op onze website [www.sicce.com](http://www.sicce.com), bij "Ondersteuning/ productregistratie".

Bedankt voor uw aankoop van en geniet van uw nieuwe **SHARK PRO!**

Os NOVOS filtros internos SHARK PRO são projetados para alcançar em pouco tempo uma filtragem eficiente do aquário e uma água cristalina usando uma combinação versátil de meios mecânicos, biológicos e químicos que estão incluídos. Uma grande variedade de outros meios filtrantes SICCE estão disponíveis para executar muitas das tarefas avançadas de filtragem necessárias para aquários de plantas - aquascaping e tratamentos especiais de água.

EN

IT

DE

FR

ES

NL

PT

RU

CZ

CN

KR

## INSTRUÇÕES DE SEGURANÇA

**SHARK PRO** está em conformidade com leis nacionais e internacionais de segurança.

**1)** Verifique se a tensão do rótulo do filtro corresponde com a da rede de energia. O filtro deve ser provida de um interruptor diferencial (protetor) através do qual a corrente nominal seja igual ou inferior a 30mA. **2)** O filtro pode funcionar solamente dentro de água. **3)** Antes de ligar o filtro à rede elétrica, verifique se o cabo ou o filtro não estão danificados. **4)** O filtro tem uma ligação de cabo tipo Z. O cabo e/ou o plugue não podem ser substituídos ou consertados; em caso de danos, substitua a bomba inteira. **5) ATENÇÃO:** Desconecte todos os produtos elétricos submerses antes de fazer qualquer manutenção no aquário; no caso do plugue ou a tomada de energia, desligue a chave disjuntora antes de desligar o cabo de energia. **6)** O filtro não pode funcionar sem água a fim de não danificar o motor. **7)** O filtro pode ser usada em líquidos ou meios com temperaturas abaixo de 35° C / 95° F. **8)** Não use o filtro para finalidades diferentes daquelas para as quais ela foi projetada, como por exemplo em banheiros ou outros tipos de aplicações. **9)** Evite usar o filtro em líquidos abrasivos ou corrosivos. **10)** O filtro não foi projetada para pessoas desabilitadas ou crianças sem supervisão de uma pessoa responsável por sua segurança. **11)** Para evitar pingos acidentais no plugue ou na tomada de energia, faça uma volta com o cabo de maneira que fique abaixo do nível do soquete (*Fig. A*). **12)** Evite desligar o filtro puxando o cabo da tomada durante a instalação ou manutenção. **13)** O filtro pode ser usada apenas dentro das aplicações mencionadas acima e serve somente para espaços internos.

## MEIO FILTRANTE INCLUÍDO

**SHARK PRO 500** = 2 X 20 ppi Espumas LATERAIS + 1 x 30 ppi Espuma-FILTRAÇÃO MECÂNICA

**SHARK PRO 700** = 2 X 20 ppi Espumas LATERAIS + 1 x 30 ppi Espuma - FILTRAÇÃO MECÂNICA + 2 X 20 ppi Espumas LATERAIS + 1 CARTUCHO enchido com BIOPEARL- FILTRAÇÃO BIOLÓGICA

**SHARK PRO 900** = 2 X 20 ppi Espumas LATERAIS + 1 x 30 ppi Espuma-FILTRAÇÃO MECÂNICA + 2 X 20 ppi Espumas LATERAIS + 1 CARTUCHO enchido com BIOPEARL- FILTRAÇÃO BIOLÓGICA + 2 X 20 ppi Espumas LATERAIS + 1 CARTUCHO enchido com ZEROPHOS - FILTRAÇÃO QUÍMICA

O cartucho interno pode ser recarregado usando o Sicce Filter Media (recomendado) ou qualquer outro.

EN

## PRINCIPAIS CARACTERÍSTICAS

### Componentes E Peças Sobressalentes

- 1) SUPORTE MAGNÉTICO para espessura de vidro até 12mm - 1/2". (Fig.1A)
- 2) Conexão MAGNÉTICA da cabeça do filtro e do corpo do filtro para operações fáceis de remoção e limpeza. (Fig. 1B)
- 3) Gaveta de abertura dos módulos filtrantes. (Fig. 2)
- 4) Superfície do filtro 30% maior fixando um processo de água cristalina e um sistema de filtração vencedor.
- 5) BARRA DE PULVERIZAÇÃO com um design discreto que preserva a vista do aquário melhorando constantemente a oxigenação da água. (Fig.3)
- 6) Cartucho recarregável com uma grande capacidade de conter diferentes meios filtrantes. (Fig.4)

DE

FR

ES

### Sistema De Montagem Do Filtro (Fig.5)

Cabeça do filtro

Sistema de Conexão Magnética Sicce

Caixa do filtro modular

NL

A grelha magnética pode ser removida deslizando-a com apenas 1 clique

Grelha magnética

PT

### Como Pendurar O Filtro Ao Vidro (Fig.6)

Fixe o componente **A** na ranhura quadrada **B** que está na parte de trás da cabeça do filtro.

Em seguida, posicione o componente **C** no vidro e pendure no filtro.

A força magnética vai mantê-lo estável.

**DICAS:** Uma vez que o filtro foi posicionado, não há necessidade de remover o suporte do íman **A+C** para remover o filtro do aquário. Pode simplesmente remover o SHARK PRO deixando o suporte do íman fixo no vidro. (Fig.7)

RU

CZ

CN

### Modos De Fluxo De Água (Fig.8-9)

As entradas separadas e individuais em cada módulo deixam o sistema de fluxo de água funcionar da maneira mais eficiente, evitando o entupimento e permitem que a água mantenha um movimento consistente através do filtro.

**AJUSTE NO TOPO** DO MÍN. AO MÁX. (Fig.9A)

**UNIDIRECIONAL** (Fig.9B)

**DEFLETOR COM SILENCIADOR** - Enriquecimento de oxigénio (Fig.9C)

**BARRA DE PULVERIZAÇÃO** (Fig.9D)

Para evitar respingos de água acidentais no chão, recomendamos desconectar o filtro antes de mudar do modo unidirecional para o modo de Barra de pulverização. (Fig.10) Para alcançar o melhor desempenho e enriquecimento de oxigénio, reposicione o filtro totalmente submerso. A oxigenação excessiva pode dispersar muito CO2, o que é útil para ter as plantas saudáveis e para evitar o aumento de PH.

KR

### Orifícios Da Barra De Pulverização

É aconselhável manter os orifícios sempre livres de pequenos filamentos ou algas que possam reduzir o fluxo.

## MANUTENÇÃO

Limpeza PROFUNDA - Use **SICCE PUMPCLEAN** (Fig.11)

É importante manter o seu Filtro Sicce em perfeitas condições de funcionamento para garantir uma operação de longa duração e eficiente. Ao longo do tempo, depósitos minerais naturais formar-se-ão na superfície do filtro e no rotor e, se não forem tratados, podem causar um funcionamento indesejável ou até mesmo falha. A Sicce PUMPCLEAN é uma solução super-concentrada, mas completamente segura para remover estes depósitos e manter o seu filtro em excelente forma.

## Componentes Principais A Serem Limpos Para Devolver O Seu Filtro À Condição Ideal (Fig.12)

### - Rotor

Gire este componente, localizado abaixo da cabeça do filtro, da direita para a esquerda, para levantar a cabeça do filtro. O rotor está no meio do módulo e será facilmente removível. Para uma limpeza perfeita, deixe-o submerso em água + Sicce PumpClean durante cerca de 30 minutos, em seguida enxague-o com uma escova macia para remover depósitos persistentes. Remonte o filtro de acordo com as operações anteriores.

### - Grelha de módulos de filtro

É aconselhável manter a grelha sempre livre de pequenos filamentos ou algas que possam bloquear os orifícios e reduzir o fluxo. Não é necessário remover o meio filtrante e a limpeza pode ser feita a partir da face externa do filtro.

## SISTEMA DE SUBSTITUIÇÕES DO MEIO FILTRANTE

### Filtração Biológica e Química

O cartucho interno pode ser totalmente substituído pela compra de Novos cartuchos disponíveis na loja e prontos para uso OU podem ser abertos e reabastecido com o meio filtrante Sicce recomendado ou qualquer outro disponível no mercado. O cartucho ou o meio filtrante devem ser substituídos a cada 4-6 semanas.

### Filtração Mecânica

Enxague as espumas regularmente e substitua-as em cerca de 6-8 semanas para preservar um aquário de água cristalina.

## MELHORAMENTO (Fig.13)

O Filtro Shark Pro pode ser melhorado adicionando uma Unidade extra (disponível como peça sobressalente). Pode adicionar tantas quantas forem necessárias para tratamentos temporários de água ou para melhorar o módulo de filtração.

## SHARK PRO pode ser usado VERTICALMENTE e HORIZONTALMENTE (Fig.14)

O filtro pode ser posicionado horizontalmente ou verticalmente e os módulos do filtro podem ser girados graças a um encaixe duplo da base.

Quando usado com baixo nível de água, de acordo com o kit Tartarugas ou paludário, o filtro basear-se-á no fundo do tanque de forma horizontal. Neste caso, recomendamos o uso de um meio filtrante mais pesado, pois a flutuabilidade do filtro, não sendo necessária nesta aplicação específica, pode-se tornar um problema.

EN

IT

DE

FR

ES

NL

PT

RU

CZ

CN

KR

EN

## PRECAUÇÕES PARA DESCARTE CORRETO DO PRODUTO NOS TERMOS DA DIRECTIVA CE 2002/96 / CE

IT

Se usada ou quebrada, esta bomba não pode ser descartada como lixo comum. Verifique a legislação vigente e procure centros apropriados para descartar a bomba, ou devolva-a ao revendedor. Descarte separadamente qualquer componentes elétrico para não causar danos ao ambiente . Procure centros de reciclagem desse tipo de material.

DE

FR

## GARANTIA

GARANTIA LIMITADA "A SICCE garante este produto (ver Exclusões abaixo) ao comprador original contra defeitos de materiais e mão de obra por um período de três (3) anos a partir da data da compra original, exceto para o impulsor da bomba, que é garantido por um período de seis (6) meses. Esta garantia está limitada à reparação ou substituição (a critério da Sicce) apenas de produtos defeituosos e não cobre a perda de vida útil do aquário, ferimentos pessoais, perdas materiais ou danos decorrentes do uso do produto. Recomendamos que mantenha o comprovante de compra original para validar a garantia. As reivindicações de garantia devem ser enviadas ao revendedor onde comprou o produto. A falha de apresentação do comprovante de compra anexado à reivindicação invalidará o direito à garantia. Ao conectar-se ao site [www.sicce.com](http://www.sicce.com), na sessão apropriada, pode solicitar assistência se não for possível entrar em contacto com o revendedor. Também neste caso o comprovante de compra será requisito fundamental para a correta execução do procedimento de devolução. Qualquer garantia neste documento será executada simultaneamente com, e não em adição a, quaisquer períodos mínimos de garantia estabelecidos pela lei aplicável. O reivindicante deve obter uma "Autorização de Devolução de Mercadoria" no momento do depósito antes de enviar qualquer produto para garantia ou serviço técnico. O comprador arca com o custo de envio de e para o centro de manutenção ou oficina de reparação. EXCLUSÕES. Esta garantia não cobre o seguinte: "Danos resultantes de acidente, mau uso, abuso, falta de cuidado razoável, uso do produto que não seja normal ou comum, uso do projeto em condições anormais de trabalho ou quaisquer outras falhas não resultantes de defeitos de materiais ou mão de obra. \*Danos resultantes de modificação, adulteração ou tentativa de reparação por qualquer pessoa que não seja da Sicce ou seu representante. \* Transferência do produto para alguém que não seja o comprador original. \* Submeter o produto a serviço elétrico não especificado na embalagem; o comprador original é responsável por disponibilizar instalações elétricas adequadas."

ES

NL

PT

RU

CZ

CN

KR

## SAIBA COMO OBTER A GARANTIA DO SEU PRODUTO POR 5 ANOS.

Para melhorar o nosso serviço e a satisfação dos nossos clientes, a Sicce oferece a possibilidade de adicionar uma extensão de 2 anos (total de 5 anos) à garantia, bastando registrar o seu produto no nosso site [www.sicce.com](http://www.sicce.com) , em "Support product's registration".

Obrigado pela preferência dada e aproveite o seu novo **SHARK PRO!**



НОВЫЕ внутренние фильтры SHARK PRO разработаны для достижения в короткие сроки эффективной фильтрации аквариума и кристально чистой воды с использованием универсального сочетания механических, биологических и химических сред, включенных в комплект изделия. Доступен большой выбор других фильтрующих материалов SICCE для выполнения многих сложных задач фильтрации, необходимых для аквариумов с растениями - акваскейпинга и специальной очистки воды.

EN

IT

DE

FR

ES

NL

PT

**RU**

CZ

CN

KR

## ВАЖНАЯ ИНФОРМАЦИЯ ПО БЕЗОПАСНОСТИ - ВНИМАТЕЛЬНО ИЗУЧИТЕ И СЛЕДУЙТЕ ВСЕМ РЕКОМЕНДАЦИЯМ ПО БЕЗОПАСНОСТИ

**SHARK PRO** изготовлен в соответствии со всеми национальными и международными законами о безопасности.

**1)** Убедитесь, что напряжение, указанное на этикетке фильтра, соответствует напряжению используемой электросети. Подключать устройство к электросети можно только через устройство защитного отключения (УЗО) с рабочей силой тока, не превышающей 30мА. **2)** Фильтр предназначен для использования исключительно в закрытых помещениях и не может устанавливаться на открытом воздухе. Использовать фильтр можно только в воде. **3)** Перед подключением фильтра к электросети убедитесь, что кабель, фильтр, вилка и розетка не повреждены. **4)** В фильтре используется кабельное соединение типа Z. Кабель и вилка не подлежат замене или ремонту; в случае повреждения замените фильтр целиком. **5)** **ВНИМАНИЕ:** отключите все погруженные в воду электрические изделия перед проведением любых работ по техническому обслуживанию в воде; в случае повреждения вилки или розетки, отключите главный выключатель перед отсоединением кабеля электропитания. **6)** Во избежание повреждения двигателя, не допускается работа фильтра вне водной среды. **7)** Не допускается работа фильтра при температуре воды и окружающей среды выше 35 ° C / 95 ° F. **8)** Не используйте фильтр для целей, отличных от тех, для которых он был разработан, и в непредназначенном для этого месте (в ванной и т.п.) **9)** Не используйте фильтр с агрессивными и абразивными жидкостями. **10)** Не допускается использование продукта людьми с особыми потребностями и детьми без присмотра лиц, ответственных за их безопасность. **11)** Всегда оставляйте на шнуре каплеуловительную кабельную петлю во избежание стекания конденсата или воды по кабелю к источнику питания (рис А). **12)** Не перемещайте фильтр за шнур во время установки или обслуживания. **13)** Фильтр можно использовать только в вышеупомянутых приложениях и только для внутреннего использования.

## ФИЛЬТРУЮЩИЙ МАТЕРИАЛ В КОМПЛЕКТЕ

**SHARK PRO 500** = 2 X 20ppm поролон по БОКАМ + 1 x 30ppm поролон - МЕХАНИЧЕСКАЯ ФИЛЬТРАЦИЯ

**SHARK PRO 700** = 2 X 20ppm поролон по БОКАМ + 1 x 30ppm поролон - МЕХАНИЧЕСКАЯ ФИЛЬТРАЦИЯ + 2 X 20ppm поролон по БОКАМ + 1 КАРТРИДЖ, заполненный BIOPEARL - БИОЛОГИЧЕСКАЯ ФИЛЬТРАЦИЯ

**EN**

**SHARK PRO 900** = 2 X 20ppm поролон по БОКАМ + 1 x 30ppm поролон - МЕХАНИЧЕСКАЯ ФИЛЬТРАЦИЯ +2 X 20ppm поролон по БОКАМ + 1 КАРТРИДЖ, заполненный BIOPEARL- БИОЛОГИЧЕСКАЯ ФИЛЬТРАЦИЯ + 2 X 20ppm поролон по БОКАМ + 1 КАРТРИДЖ, заполненный ZEROPHOS - ХИМИЧЕСКАЯ ФИЛЬТРАЦИЯ

**IT**

Внутренний картридж можно заправлять с помощью фильтрующего материала Sicce (рекомендуется) или любого другого.

**DE**

## ОСНОВНЫЕ ХАРАКТЕРИСТИКИ

Компоненты И Запасные Части

**FR**

1) МАГНИТНЫЙ ДЕРЖАТЕЛЬ для стекла толщиной до 12 мм - 1/2" . (рис 1A)

**ES**

2) МАГНИТНОЕ соединение от головки фильтра и корпуса фильтра для легкого снятия и очистки. (рис 1B)

**NL**

3) Открывающаяся емкость для фильтрующих модулей. (рис 2)

**PT**

4) Увеличенная на 30% поверхность фильтра обеспечивает процесс очистки воды до кристально чистого состояния и выигрышную систему фильтрации.

**RU**

5) РАСПЫЛИТЕЛЬ с лаконичным дизайном сохраняет обзор аквариума, постоянно улучшая насыщение воды кислородом. (рис 3)

**CZ**

6) Картридж, который можно повторно заправлять, с большой емкостью для размещения различных фильтрующих сред. (рис 4)

**CN**

## Система Сборки Фильтра (рис 5)

Головка фильтра

Система магнитного соединения Sicce

Модульный корпус фильтра

Магнитную решетку можно удалить, сдвинув ее лишь 1 щелчком

Магнитная сетка

**KR**

## Как Закрепить Фильтр На Стекло (рис 6)

Закрепите компонент **A** в квадратной канавке **B**, которая находится на задней стороне головки фильтра.

Затем поместите компонент **C** на стекло и повесьте на фильтр.

Магнитная сила будет удерживать его в устойчивом положении.

СОВЕТЫ: после того, как фильтр установлен, нет необходимости снимать магнитное крепление **A + C**, чтобы удалить фильтр из аквариума. Вы можете просто удалить SHARK PRO, оставив крепление магнита на стекле. (рис 7)

## Режимы Потока Воды (рис 8-9)

Отдельные и индивидуальные входы в каждый модуль позволяют системе подачи воды работать наиболее эффективным образом, предотвращая засорение, и позволяя воде постоянно циркулировать через фильтр

РЕГУЛИРОВКА СВЕРХУ от мин. до макс. (рис 9A)

ОДНОНАПРАВЛЕННЫЙ (рис 9B)

ДЕФЛЕКТОР С ГЛУШИТЕЛЕМ - обогащение кислородом (рис 9C)

РАСПЫЛИТЕЛЬ (рис 9D)

Чтобы избежать случайного разбрызгивания воды на пол, мы рекомендуем отключить фильтр от сети перед переключением из однонаправленного режима в режим распылителя. (рис 10) Чтобы достичь наилучшей производительности и обогащения кислородом, повторно установите фильтр полностью погрузив его. Чрезмерное насыщение кислородом может привести к рассеиванию слишком большого количества CO<sub>2</sub>, что полезно для здоровых растений и предотвращает повышение pH.

EN

IT

DE

FR

ES

NL

PT

RU

CZ

CN

KR

## Отверстия Распылителя

Желательно, чтобы на отверстиях не было мелких нитей или водорослей, которые могут уменьшить поток.

## ТЕХНИЧЕСКОЕ ОБСЛУЖИВАНИЕ

Глубокая очистка - используйте **SICCE PUMPCLEAN** (рис 11)

Важно поддерживать ваш фильтр Sicce в отличном рабочем состоянии, чтобы обеспечить длительный срок службы и его эффективную работу. Со временем на поверхности фильтра и ротора образуются естественные минеральные отложения, которые, если их не обработать, могут привести к нежелательной работе или даже неисправности. Sicce PUMP CLEAN — это супер концентрированный, но полностью безопасный раствор для удаления этих отложений и поддержания вашего фильтра в идеальной форме.

**Ключевые Компоненты, Которые Необходимо Очистить, Чтобы Вернуть Фильтр В Оптимальное Состояние. (рис 12)**  
- Ротор

Поверните этот компонент, расположенный под головкой фильтра, справа налево, чтобы поднять головку фильтра. Ротор находится в середине модуля и легко снимается. Для идеальной очистки оставьте его погруженным в воду + Sicce Pump Clean примерно на 30 минут, затем промойте с помощью мягкой щетки для удаления стойких отложений. Снова соберите фильтр, как описано выше.

- Сетка фильтрующих модулей

Желательно, чтобы сетка всегда была свободна от мелких волокон или водорослей, которые могут заблокировать отверстия и уменьшить поток. Нет необходимости удалять фильтрующий материал, и очистка может производиться с внешней стороны фильтра.

## СИСТЕМА ЗАМЕНЫ ФИЛЬТРУЮЩЕГО МАТЕРИАЛА

Биологическая и химическая фильтрация

Внутренний картридж можно полностью заменить, купив новый, доступный в магазине и готовый к использованию, ИЛИ открыть и снова наполнить рекомендованным фильтрующим материалом Sicce или любым другим, доступным на рынке.

Картридж или фильтрующий материал следует заменять каждые 4-6

**EN**

недель.

Механическая фильтрация

Регулярно промывайте детали из поролона и заменяйте их примерно через 6-8 недель, чтобы сохранить воду в аквариуме кристально чистой.

**IT**

## **ОБНОВЛЕНИЕ (рис 13)**

Фильтр Shark Pro можно обновить, добавив дополнительный блок (доступен в качестве запасной части) . Вы можете добавить столько, сколько необходимо для временной обработки воды или для улучшения модуля фильтрации.

**DE****FR**

## **SHARK PRO можно использовать ВЕРТИКАЛЬНО и ГОРИЗОНТАЛЬНО (рис 14)**

Фильтр может быть расположен горизонтально или вертикально, а модули фильтра могут вращаться благодаря двойной посадке основания

При использовании с низким уровнем воды (в аквариуме с черепахами или палудариуме) фильтр будет располагаться на дне аквариума горизонтально. В этом случае мы рекомендуем использовать более тяжелые фильтрующие материалы, поскольку плавучесть фильтра, которая не требуется в данном конкретном случае, может стать проблемой.

**ES****NL****PT****RU**

## **ИНСТРУКЦИИ ДЛЯ ПРАВИЛЬНОЙ ВЫГРУЗКИ ПРОДУКТА В СООТВЕТСТВИИ С ДИРЕКТИВОЙ ЕС 2002/96/ЕС**

Если срок службы прибора закончился, прибор разбит или сломан, не утилизируйте его вместе с другими отходами. Отправьте прибор в специализированное место для утилизации электроприборов или дилерам, которые оказывают такие услуги. Утилизируйте электроприбор отдельно для предотвращения негативного влияния на окружающую среду и здоровье людей, а также с целью повторного использования материалов, что сэкономит энергию и ресурсы.

**CZ****CN****KR**

## **ГАРАНТИЙНЫЕ ОБЯЗАТЕЛЬСТВА**

**ОГРАНИЧЕННАЯ ГАРАНТИЯ** "Sicce" предоставляет гарантию на этот продукт (см. Исключения ниже) первоначальному покупателю на дефекты материалов и изготовления в течение трех (3) лет с даты первоначальной покупки, за исключением рабочего колеса насоса, на которое предоставляется гарантия в течение шести (6) месяцев. Настоящая гарантия ограничивается только ремонтом или заменой (по выбору Sicce) неисправного изделия и не распространяется на гибель населения аквариума, травмы, потерю имущества или повреждение, возникающие в результате использования изделия. Мы рекомендуем сохранить оригинальное доказательство покупки для подтверждения гарантии. Гарантийные рекламации должны быть представлены розничному продавцу, где вы приобрели продукт. Непредставление доказательства

покупки, приложенного к претензии, аннулирует право на гарантию. На веб-сайте [www.sicse.com](http://www.sicse.com), вы можете запросить помощь, если не удалось связаться с дилером. Также в этом случае доказательство покупки будет основополагающим требованием для правильного выполнения процедуры возврата. Любая настоящая гарантия действует одновременно с минимальными гарантийными сроками, установленными применимым законодательством, а не в дополнение к ним. Заявитель должен получить “Разрешение на возврат товара” в момент подачи заявки до отправки любого товара на гарантийное или техническое обслуживание. Покупатель несет расходы по доставке в сервисный центр или на ремонтную станцию и обратно. ИСКЛЮЧЕНИЯ. Настоящая гарантия не распространяется на следующее: \* Ущерб, возникший в результате несчастного случая, неправильного использования, злоупотребления, отсутствия разумной осторожности, использования продукта, отличного от нормального или обычного, использования изделия в ненормальных рабочих условиях или любых других сбоев, не являющихся следствием дефектов материалов или изготовления. \* Повреждение в результате модификации, вмешательства или попытки ремонта кем-либо, кроме Sicse или ее уполномоченного лица. \* Передача продукта другому лицу, кроме первоначального покупателя. \* Подвергать продукт электроснабжению, не указанном на упаковке; первоначальный покупатель несет ответственность за обеспечение надлежащего электрического оборудования».

## УЗНАЙТЕ, КАК ПОЛУЧИТЬ 5-ЛЕТНЮЮ ГАРАНТИЮ ДЛЯ ВАШЕГО ПРОДУКТА

Чтобы улучшить качество обслуживания и удовлетворенность наших клиентов, Sicse предлагает возможность продления гарантии на 2 года (всего 5 лет) путем простой регистрации вашего продукта на нашем веб-сайте [www.sicse.com](http://www.sicse.com) в разделе «Поддержка / Регистрация продукта». Заполните форму и загрузите квитанцию о покупке продукта. После того, как все данные были правильно введены, заполните запрос на продление гарантии.

Спасибо за то, что выбрали нас! Наслаждайтесь Вашим новым **SHARK PRO**!

EN

IT

DE

FR

ES

NL

PT

RU

CZ

CN

KR

EN

NOVÉ vnitřní filtry SHARK PRO jsou navrženy tak, aby v krátké době dosáhly účinné filtrace akvária a křišťalové vody pomocí univerzální kombinace mechanických, biologických a chemických médií, která jsou součástí balení. Velký výběr dalších filtračních médií SICCE je k dispozici pro zajištění řady pokročilých filtračních úkolů potřebných pro rostlinná akvária - aquascaping a speciální úpravy vody.

IT

DE

## OBECNÉ BEZPEČNOSTNÍ POKYNY

SHARK PRO je vyroben v souladu s vnitrostátními a mezinárodními bezpečnostními zákony.

FR

1) Zkontrolujte, zda napětí na štítku filtru odpovídá napětí v síti. Filtr musí být napájen diferenciálním spínačem (chráničem), jehož jmenovitý proud je nižší nebo se rovná 30 mA. 2) Tento filtr lze použít pouze ponořený ve vodě. 3) Před připojením filtru k elektrické síti zkontrolujte, zda nejsou kabel a filtr poškozeny.

ES

NL

4) Filtr má kabelové spojení typu Z. Kabel a zástrčku nelze vyměnit ani opravit; v případě poškození vyměňte celý filtr. 5) UPOZORNĚNÍ: před provedením jakékoli údržby ve vodě odpojte všechny ponořené elektrické výrobky; v případě poškození zástrčky nebo elektrické zásuvky odpojte hlavní vypínač před odpojením elektrického napájecího kabelu.

PT

RU

6) Filtr nesmí pracovat bez vody, aby nedošlo k poškození motoru. 7) Filtr lze použít v kapalinách nebo v prostředí s teplotou nepřesahující 35° C / 95° F. 8) Nepoužívejte filtr pro použití odlišná od těch, pro která byl navržen, tj. v koupelně nebo podobných aplikacích. 9) Nepoužívejte filtr s žíravými a abrazivními kapalinami. 10) Při používání tohoto výrobku by měly být pod dohledem osoby se zvláštním režimem a děti. 11) Abyste zabránili náhodnému odkapání vlhkosti do zástrčky nebo zásuvky, vytvořte smyčku s kabelem pod úrovní zásuvky (Obr. A). 12) Při instalaci nebo údržbě filtru nepohybujte kabelem. 13) Filtr lze použít pouze ve výše uvedených aplikacích a je určen pouze pro vnitřní použití.

CZ

CN

KR

## OBSAHUJE FILTRAČNÍ MÉDIA

SHARK PRO 500 = 2 X 20ppi POSTRANNÍ HOUBA + 1 x 30ppi HOUBA - MECHANICKÁ FILTRACE

SHARK PRO 700 = 2 X 20ppi POSTRANNÍ HOUBA + 1 x 30ppi HOUBA - MECHANICKÁ FILTRACE + 2 X 20ppi POSTRANNÍ HOUBA + 1 ZÁSObNÍ VLOŽKA naplněná BIOPEARL-BIOLOGICKÁ FILTRACE

SHARK PRO 900 = 2 X 20ppi POSTRANNÍ HOUBA + 1 x 30ppi HOUBA - MECHANICKÁ FILTRACE + 2 X 20ppi POSTRANNÍ HOUBA + 1 ZÁSObNÍ VLOŽKA naplněná BIOPEARL-BIOLOGICKÁ FILTRACE + 2 X 20ppi POSTRANNÍ HOUBA + 1 ZÁSObNÍ VLOŽKA naplněná ZEROPHOS - CHEMICKÁ FILTRACE  
Vnitřní část filtračního modulu lze znovu naplnit pomocí Sicce

filtračního média (doporučeno) nebo jakéhokoliv jiným.

EN

## HLAVNÍ FUNKCE

### Komponenty A Náhradní Díly

- 1) MAGNETICKÝ DRŽÁK pro tloušťku skla do 12mm - 1/2" . (Obr.1A)
- 2) MAGNETICKÉ připojení hlavy filtru a tělesa filtru pro snadné odstranění a čištění. (Obr.1B)
- 3) Otevírací díl filtračních modulů. (Obr.2)
- 4) 30% větší filtrační plocha zlepšující proces pro dosažení krystalově čisté vody, vítězí filtrační systém
- 5) ROZŠŘIKOVACÍ TRUBIČKA s diskretním designem, která zachovává výhled na akvárium a neustále zlepšuje okysličování vody.(Obr.3)
- 6) Plnitelná kazeta s velkou kapacitou pro různá filtrační média. (Obr.4)

IT

DE

FR

ES

### Montážní Systém Filtru (Obr.5)

Hlava filtru

Magnetický připojovací systém Sicce

Modulární pouzdro filtru

Magnetickou mřížku lze vyjmout posunutím pouze jedním kliknutím

Magnetická mřížka

NL

PT

RU

### Jak Zavěsit Filtr Na Sklo (Obr.6)

Upevněte díl A do čtvercové drážky dílu B, která je na zadní straně hlavy filtru.

Potom umístěte komponentu C ke sklu a zavěste filtr.

Magnetická síla jej udrží stabilní.

TIPY: Jakmile je filtr umístěn, není nutné demontovat držák magnetu A+C, aby se filtr vyjmul z akvária. Můžete jednoduše odstranit Shark PRO a ponechat upevněný držák magnetu na skle.(Obr.7)

CZ

CN

KR

### Režimy Proudění Vody (Obr.8-9)

Samostatné a individuální vstupy na každém modulu umožňují, aby systém průtoku vody fungoval co nejefektivněji, aby se zabránilo ucpání a aby voda udržovala konzistentní pohyb filtrem.

REGULACE NAHOŘE od Min do Max (Obr.9A)

JEDNOSMĚRNÝ (Obr.9B)

DEFLEKTOR S TLUMIČEM - obohacení kyslíkem (Obr.9C)

ROZŠŘIKOVACÍ LIŠTA (Obr.9D)

Abyste předešli postříkání podlahy vodou, doporučujeme filtr před manipulací přepnout z režimu jednosměrného proudění do režimu rozstříkovací lišty.(Obr.10) Chcete-li dosáhnout

**EN**

nejlepšího výkonu a obohacení kyslíkem, zcela ponořte filtr. Nadměrné okysličování by mohlo způsobit nedostatek CO<sub>2</sub> ve vodě, který je užitečný pro zdravé rostliny a k zastavení růstu PH.

**IT**

## Otvory V Rozstříkovací Liště

Doporučuje se udržovat otvory vždy čisté bez nečistot, které by mohly snížit průtok

**DE**

## ÚDRŽBA

**FR**

Důkladné čištění - použijte PUMPCLEAN SICCE (Obr.11)

**ES**

Pro zajištění dlouhé životnosti a efektivního provozu je důležité udržet filtr Sicce v prvotřídním provozním stavu. Na povrchu filtru a rotoru se vytvoří postupem času přírodní minerální usazeniny a pokud nejsou ošetřeny, mohou způsobit nežádoucí provozní potíže nebo dokonce selhání. Sicce PUMPCLEAN je superkoncentrovaný roztok pro bezpečné odstranění těchto usazenin a udržení filtru ve špičkové kvalitě.

**NL****PT**

**Klíčové Komponenty, Které Je Třeba Čistit, Aby Se Filtr Vrátil Do Optimálního Stavů. (Obr.12)**

- Rotor

**RU**

Otočením této součásti umístěné pod hlavou filtru doprava doleva oddělíte hlavu filtru. Rotor je uprostřed modulu a je snadno odnímatelný. Pro dokonalé vyčištění jej ponechte ponořený ve vodě s Sicce PumpClean po dobu asi 30 minut, poté jej opláchněte měkkým kartáčem, abyste odstranili odolné usazeniny. Znovu sestavte filtr podle předchozích operací.

**CZ**

- Mřížka filtračních modulů

**CN**

Tuto mřížku doporučujeme udržovat vždy čistou bez malých vláken nebo řas, které by mohly zablokovat otvory a snížit průtok

**KR**

Filtrační médium není nutné vyjmát a čištění lze provést z vnější strany filtru.

## SYSTÉM VÝMĚNY FILTRAČNÍCH MÉDIÍ

Biologická a chemická filtrace

Vnitřní filtrační vložku lze zcela vyměnit zakoupením nové dostupné v obchodech a připravené ihned k použití. NEBO ji lze otevřít a znovu naplnit doporučenými filtračními médii Sicce nebo jakýmkoliv jiným médiem dostupným na trhu.

Filtrační vložka nebo filtrační médium by měly být vyměňovány každé 4-6 týdnů.

**Mechanická filtrace**

Houby pravidelně oplachujte a vyměňte je přibližně za 6-8 týdnů, aby se uchovala křišťálově čistá voda v akváriu.



## UPGRADE (Obr.13)

Filtr Shark Pro lze rozšiřovat přidáním dalšího modulu (k dispozici jako náhradní díl) . Můžete jich přidat tolik, kolik je potřeba pro dočasnou úpravu vody nebo pro vylepšení filtračního modulu.

EN

IT

DE

FR

ES

NL

PT

RU

CZ

## SHARK PRO lze používat VERTIKÁLNĚ i HORIZONTÁLNĚ (Obr.14)

Filtr lze umístit vodorovně nebo svisle a moduly filtru lze otáčet díky dvojitě montáži základny

Při aplikaci pro nízkou hladinu vody, pro želvária nebo paludaria, bude filtr ve vodorovné poloze spočívat na dně nádrže. V tomto případě doporučujeme použít těžší filtrační médium, protože vztlak filtru, který není v této konkrétní aplikaci nutný, by se mohl stát problémem.

## POKYNY PRO SPRÁVNOU LIKVIDACI VÝROBKU V SOULADU SE SMĚRNICÍ EU 2002/96/ES

Po opotřebení nebo rozbití by neměl být výrobek likvidován s běžným odpadem. Měl by být předán k likvidaci do konkrétních sběrných středisek elektrického odpadu nebo obchodníkům, kteří tuto službu poskytují. Správnou likvidací elektrických součástí se vyhnete negativním důsledkům pro životní prostředí a pro zdraví, umožníte regeneraci materiálů, velkou úsporu energie a přírodních zdrojů.

## ZÁRUKA

OMEZENÁ ZÁRUKA “SICCE zaručuje původnímu kupujícímu garanci na tento výrobek (viz. výjimky níže) za vady materiálu a zpracování po dobu tří (3) let od data původního nákupu, s výjimkou rotoru čerpadla, které je garantováno po dobu šesti (6) měsíců. Tato záruka je omezena pouze na opravu nebo výměnu (dle volby společnosti Sicce) vadného výrobku a nevztahuje se na poškození a ztráty živočichů v akváriu, zranění osob, ztráty majetku nebo škody vzniklé v důsledku používání výrobku. Pro potvrzení záruky doporučujeme ponechat si originální doklad o nákupu. Reklamace musí být předloženy maloobchodníkovi, kde jste produkt zakoupili. Nepředložením dokladu o nákupu připojeného k reklamaci zaniká právo na záruku. Po připojení na webovou stránku [www.sicce.com](http://www.sicce.com), v příslušné relaci, můžete požádat o pomoc, pokud nebylo možné kontaktovat prodejce. Také v tomto případě bude doklad o nákupu základním požadavkem pro správné provedení postupu navrácení.

CN

KR

**EN**

Jakákoli záruka v této smlouvě bude probíhat souběžně s minimálními záručními dobami stanovenými platnými právními předpisy, nikoli k nim navíc. Žadatel reklamace musí získat doklad „Potvrzení vrácení zboží“, a to v okamžiku podání žádosti před odesláním jakéhokoli výrobku do záručního nebo technického servisu. Náklady na dopravu do servisního střediska nebo opravárenské stanice nese kupující. **VYLOUČENÍ Z REKLAMACE.** Tato záruka se nevztahuje na: \*poškození v důsledku nehody, nesprávného použití, zneužití, nedostatku přiměřené péče, používání výrobku, které je jiné než běžné, používání projektu v abnormálních pracovních podmínkách nebo jakékoli jiné poruchy, které nevyplývají z vad materiálu nebo zpracování. \*Poškození vyplývající z modifikace, manipulace nebo pokusu o opravu kýmkoli jiným než Sicce nebo jeho pověřenou osobou. \* Převod produktu na někoho jiného, než je původní kupující. \* Podání výrobku elektrické službě, která není uvedena v obalu; za poskytnutí odpovídajících elektrických zařízení odpovídá původní kupující. ”

**IT****DE****FR****ES****NL****PT****RU**

#### ZJISTĚTE, JAK ZÍSKAT ZÁRUKU NA PRODUKT PO dobu 5 LET

Pro zlepšení našich služeb a spokojenosti našich zákazníků nabízí společnost Sicce možnost přidat k záruce prodloužení záruky o 2 roky (celkem na 5 let) jednoduchou registrací produktu na našich webových stránkách [www.sicce.com](http://www.sicce.com) v části “Podpora/registrace produktu” .

**CZ**

Děkujeme, že jste si nás vybrali, a užíjte si svůj nový SHARK PRO!

**CN****KR**

全新的SHARK PRO系列内置过滤器，结合了机械、生物和化学过滤功能，能在短时间内实现高效的过滤能力，形成洁净的水质。配合多样化的原装SICCE过滤材料，可以实现水草养殖以及各种高级水质调整任务的特殊过滤要求。

EN

IT

DE

FR

ES

NL

PT

RU

CZ

CN

KR

## 安全须知

SHARK PRO系列根据国家与国际安全法律制造。

1)检查过滤器标签上注明的电压是否与电网电压匹配。过滤器必须通过空气开关(保护器)供电,通过该开关的标称电流低于或等于30毫安。2)此过滤器只可浸入水中使用。3)过滤器接电之前,请检查电缆与过滤器是否完好无损。4)过滤器包含一条Z型电缆链路。电缆和插头不可更换或修理;如有损坏,请更换整台过滤器。5)注意:在水中进行任何维护前,请先断开所有浸没式电气产品的电源;如插头或电源插座损坏,请在断开电源电缆之前断开通用开关。6)过滤器不得在无水情况下工作,以免损坏电机。7)过滤器可用于温度不高于35摄氏度/95华氏度的液体或环境中。8)请勿将过滤器用于与设计目的不同的用途,例如卫生间内或类似应用中。9)请勿将过滤器用于腐蚀性和研磨性液体之中。10)有特殊需要的人士与儿童应在使用本产品时受到监督。11)为防止插头或插座意外滴水,请将电线环绕于插座下方形成滴水圈(图A)。12)在安装或维护过程中,避免用电线移动过滤器。13)过滤器只可用于上述应用之中且仅供水族箱内使用。

## 包含过滤介质

SHARK PRO 500 = 2 x 20ppi过滤棉 + 1 x 30ppi过滤棉-机械过滤

SHARK PRO 700 = 2 x 20ppi过滤棉+ 1 x 30ppi过滤棉-机械过滤 + 2 x 10ppi过滤棉 + 1个填有BIOPEARL的过滤盒-生物过滤

SHARK PRO 900 = 2 x 20ppi过滤棉 + 1 x 30ppi过滤棉-机械过滤 + 2 x 20ppi过滤棉 + 1个填有BIOPEARL的过滤盒-生物过滤+ 2 x 20ppi过滤棉 + 1个填有ZEROPHOS的过滤盒-化学过滤  
内部过滤盒可用Sicce过滤介质(推荐)或以任何其它方式重新填充。

## 主要特点

### 零件和备件

- 1)磁吸支架,适用于厚度最高为12毫米-1/2"的玻璃。(图1A)
- 2)滤头和过滤器主体之间的磁吸连接装置,易于拆卸和清洁操作。(图1B)
- 3)过滤模块抽屉可打开。(图2)
- 4)提升超过30%过滤面积,优越的过滤系统迅速形成洁净水质
- 5)分离式喷淋口,易于隐藏并改善水体的含氧量。(图3)
- 6)大容量可再充过滤盒,可容纳不同过滤介质。(图4)

## 过滤器组装系统 (图5)

滤头

Sicce磁吸连接系统

模块化滤篮

**EN**

磁吸栅格只需点击↓下即可移除  
磁吸栅格

**IT**

### 如何挂在玻璃上 (图6)

将组件A固定到滤头背面的方形凹槽B中。  
然后将组件C放置在玻璃上并悬挂于过滤器上。  
磁吸力将使其保持稳定。

**DE**

小贴士: 过滤器定位完毕后, 无需卸下磁铁固定座即可从水族箱中卸  
下过滤器。您只需卸下SHARK PRO, 将磁铁固定座固定于玻璃上即  
可。(图7)

**FR**

### 水流模式 (图8-9)

每个过滤模块都有独立的进水口让水流系统以最有效的方式工作,  
在防止堵塞的同时, 在内部形成一致的水流。

**ES**

从最小到最大的顶部调节 (图9A)  
单向 (图9B)

**NL**

带消音器的导流板-供氧 (图9C)  
喷淋杆 (图9D)

**PT**

为避免水意外泼溅到地板上, 我们建议您在从单向模式切换到喷淋  
杆模式之前拔出过滤器插头。(图10) 为了达到最佳的性能和供氧  
程度, 只需在水面上使用调节旋钮即可重新放置完全浸没的过滤器。  
充氧过度可能会分散过多的二氧化碳, 这会有助于健康植物和防止  
酸碱值升高。

**RU**

### 喷淋杆孔

定期清除出水孔的藻类或者异物, 以免造成堵塞导致流量减少

**CZ**

### 维护

深度清洁-使用SICCE PUMPCLEAN水泵清洁剂 (图11)

保持您的Sicce过滤器处于最佳运行状态是非常重要的, 这样才可确  
保它的长久使用寿命与有效运行。随着时间的推移, 天然矿物质、沉  
积物将在过滤面和转子中形成, 如未经处理, 可能导致不良操作甚至  
故障。Sicce PUMP CLEAN水泵清洁剂是一种超浓缩但完全安全  
的解决方案, 可去除这些沉积物并保持过滤器处于绝佳状态。

**CN****KR**

### 使过滤器恢复至最佳状态所要清洁的关键组件 (图12)

-转子

从右向左旋转位于滤头下方的此组件, 以将滤头升高。转子位于模  
块中间且易于拆卸。要进行完美清洁, 请将其在添加了Sicce Pump  
Clean水泵清洁剂的水中浸泡约30分钟, 然后用软刷冲洗以去除顽  
固沉积物。遵循先前操作重新组装过滤器。

-过滤模块栅格

建议保持栅格中始终没有小细丝或藻类, 以免堵塞孔眼且减少流量  
无需移除过滤介质, 可从过滤器的外表进行清洁。

## 过滤介质替换系统

### 生物与化学过滤

内部过滤盒可通过在商店中购买一只可立即使用的新过滤盒来完全更换,也可在打开后使用推荐的Sicce过滤器介质或市场上提供的任何其它介质进行再填充。

过滤盒或过滤介质应每4-6周更换一次。

### 机械过滤

定期冲洗过滤棉并在约6-8周内进行更换,以维持水质的洁净。

## 升级 (图13)

Shark Pro系列过滤器可通过添加额外单元(可作为备件)进行升级。您可以根据需要添加必要数量的临时水处理或改进过滤模块。

## SHARK PRO可垂直及水平使用 (图14)

过滤器可水平或垂直定位,并且由于底座为双重固定式支装,过滤器的模块可以旋转

当以低水位使用时,根据Turtles套件或Paludarium,过滤器将以水平位置基于罐底。这种情况下,我们建议使用一种较重的过滤介质,因为过滤器的浮力在此特定应用中的不必要且可能会成为一个问题。

## 根据欧盟第2002/96/EC号指令正确排放产品的说明

已使用或已破损的产品不可与其它废弃物一同排放。可交付至特定的电子废弃物收集中心或提供此项服务的经销商。将电动工具单独排放可避免对环境与健康产生负面影响并可允许材料的再生,从而大大节省能源与资源。

## 保修

有限保修 “SICCE自原始购买之日起三(3)年内向原始购买者保证本产品(见下文排除项列表)无材料和工艺缺陷,水泵叶轮除外,该叶轮的保修期为六(6)个月。本保修仅限于修理或更换(根据Sicce的选项)缺陷产品,不包括因使用产品而造成水族箱寿命减损、人身伤害、财产损失或损坏。我们建议保留原始购买凭证以验证保修。保修索赔必须提交至您购买产品的零售商。未出示索赔所附的购买凭证将使获得获得保修权无效。通过适当会话连接至网站www.sicce.com,如无法与经销商联系,您可请求帮助。这种情况下,购买凭证也是正确执行退货程序之基本要求。本协议中的任何保修均应与适用法律规定的任何最低保修期同时运行,而不得并列附加。索赔人在发送任何产品进行保修或技术服务之前,必须在提交时获得“退货授权书”。买方承担往返服务中心或维修站的运费。排除项。本保修不包括以下内容: \*因事故、滥用、不当使用、缺乏合理看护、使用非正常或非常规产品、将产品用于异常工作条件下或任何其它不因材料或工艺缺陷而造成的损坏。\*由Sicce指定人员之外的任何其它人士进行的改动、篡改或试图修理而造成的损坏。\*将产品转让给原始购买者之外的人士。\*使产品接受包装中未

EN

IT

DE

FR

ES

NL

PT

RU

CZ

CN

KR

EN

指明的电气服务;原始购买者有责任提供适当的电气设施。”

IT

### 了解如何保证您的产品获得为期5年的保修

为了改善我们的服务与客户满意度,只需在我们的网站[www.sicce.com](http://www.sicce.com)上于“支持/产品注册”一栏中注册您的产品,Sicce即可提供为保修期添加2年延长期(总计5年)的可能性。

DE

感谢您的偏爱&享受您的全新SHARK PRO吧！

FR

ES

NL

PT

RU

CZ

CN

KR

신제품 SHARK PRO는 내부 필터에 포함된 기계적, 생물적, 화학적 여과재의 다기능적 조합을 통해 짧은 시간 안에 효율적인 수조 여과와 결정수 형성을 목적으로 디자인 되었습니다. 기타 다양한 SICCE 필터 매개체는 어항 조경과 특수 수질 처리 등의 많은 고급 여과 업무를 수행하는데 사용할 수 있습니다

EN

IT

DE

FR

ES

NL

PT

RU

CZ

CN

KR

## 일반 안전 지침

SHARK PRO는 국가 및 국제 보안법을 준수하여 만들어집니다.

1) 30mA이하로 단독사용을 권장합니다. 2) 이 필터는 물에 잠긴 경우에만 사용할 수 있습니다. 3) 이 필터를 전기 네트워크에 연결하기 전에 전선과 필터가 손상되지 않았는지 확인하십시오. 4) 필터에는 Z형 케이블 링크 가 있습니다. 전선과 플러그는 교체 또는 수리할 수 없습니다. 손상의 경우 필터 전체를 교체하십시오. 5) 주의: 물에서 정비를 하기 전에 잠긴 모든 전기 제품을 분리하십시오. 플러그 또는 전기 콘센트가 손상된 경우, 전선을 분리하기 전에 전원 스위치를 꺼주십시오. 6) 필터는 모터의 손상을 피하기 위해 물 없이 작동해서는 안 됩니다. 7) 이 필터는 35° C / 95° F 이하의 온도의 액체 또는 환경에서 사용될 수 있습니다. 8) 필터를 설계된 목적 이외의 용도로 사용하지 마십시오 ex) 욕실 등. 9) 부식성 및 연마성 있는 액체를 필터에 사용하지 마십시오. 10) 특별히 도움이 필요한 사람이나 아이가 사용할 때는 어른의 감독하에 사용되어야 합니다. 11) 물방울이 플러그 또는 소켓에 젖지 않도록 소켓 레벨 아래의 코드로 루프를 만드십시오(그림 A). 12) 설치 또는 수리 중에는 코드로 필터를 이동하지 마십시오. 13) 필터는 위에서 언급한 용도로만 사용할 수 있으며 수족관 전용입니다.

## 포함된 필터 여과재

SHARK PRO 500 = 2 X 20ppi 사이드 스폰지 + 1 x 30ppi중앙 스폰지-기계적 여과

SHARK PRO 700 = 2 X 20ppi 사이드 스폰지 + 1 x 30ppi 중앙 스폰지-기계적 여과 + 2 X 20ppi 사이드 스폰지 + 1 x BIOPEARL 펄로 채워진 카트리지가-생물학적 여과

SHARK PRO 900 = 2 X 20ppi 사이드 스폰지 + 1 x 30ppi 중앙 스폰지-기계적 여과 +2 X 20ppi 사이드 스폰지 + BIOPEARL 펄로 채워진 카트리지가 1개 - 생물학적 여과 + 2 X 20ppi 사이드 스폰지 + ZEROPHOS로 채워진 카트리지가 1개 - 화학적 여과

내부 카트리지는 Sicce 필터 여과재(권장) 또는 기타 여과재를 사용하여 리필할 수 있습니다.

## 구성품 및 예비 부품

- 1) 최대 12mm - 1/2" 두께 유리를 위한 자성 홀더. (그림1 A)
- 2) 간편한 분해 및 세척 작업을 위한 필터 헤드와 본체 사이에 자성 연결. (그림1 B)
- 3) 필터 모듈의 열기 서랍. (그림2)
- 4) 30% 더 큰 필터 표면상의 결정수 공정 및 여과 시스템
- 5) 수족관의 시야를 보존하고 물의 산소화를 지속적으로 개선하는 별도의 설계를 가진 스프레이 바. (그림3)
- 6) 여러 필터 여과재를 담을 수 있는 큰 용량의 충전식 카트리지가. (그림4)

EN

**필터 조립 시스템 (그림5)**

필터 헤드  
Sicce 자석 연결 시스템  
블록형 필터 케이스

IT

마그네틱 그리드 는 한 번의 동작으로 밀어서 제거할 수 있습니다.  
마그네틱 그리드

DE

**필터를 어항 유리에 거는 방법 (그림6)**

필터 헤드의 뒷면에 있는 정사각형 홈 B에 구성품 A를 고정합니다.  
그런 다음 구성품 C를 유리에 위치시키고 필터에 매달으십시오.  
그러면 자기력이 일정하게 유지됩니다.

FR

조언: 필터가 설치되면 어항에서 필터를 제거하기 위해 자석 고정대를 제거하지 않아도 됩니다. 어항에 고정된 자석 고정대를 남겨두고 SHARK PRO만 제거하면 됩니다. (그림7)

ES

**물의 종류 (그림8-9)**

각 블록의 여과재를 통해(?) 물 흐름 시스템이 가장 효율적인 방식으로 작동하도록 하여 물이 필터를 통해 일관된 움직임을 유지할 수 있게 합니다.

NL

상단에서 Min~Max 세기 조절 (그림9A)  
단방향 (그림9B)

PT

소음기가 있는 변류기 - 산소 부화 (그림9C)  
스프레이 바 (그림9D)

RU

바닥에 실수로 물이 튀지 않도록 단방향 모드에서 스프레이 바 모드로 전환하기 전에 필터의 플러그를 뽑는 것이 좋습니다. (그림10) 최상의 성능과 산소 부화를 얻으려면 물 표면의 조절 손잡이만으로 필터를 완전히 잠긴 상태로 다시 위치시킵니다. 과도한 산화는 너무 많은 CO2를 확산시킬 수 있으며, 이는 건강한 식물에 도움이 되며 PH의 상승을 방지합니다.

CZ

물의 흐름을 줄일 수 있는 이끼나 조류가 구멍에 끼이지 않도록 해 주십시오.

CN

**주기적 청소 - SICCE PUMP 청소액 사용 (그림11)**

수명이 길게 사용하고 효율적인 작동을 보장하기 위해 sicce필터를 원활한 작동상태로 유지하는 것이 중요합니다. 시간이 지남에 따라 천연 미네랄 침전물이 필터 표면이나 임펠라에 형성되며, 제대로 청소하지 않은 경우 바람직하지 않은 작동 또는 고장을 일으킬 수 있습니다. Sicce PUMP 청소액은 침전물을 제거하고 필터를 최상위 상태로 유지하는데 도움을 주는 농축된 높은 매우 안전한 방법입니다.

KR

**필터를 최적의 상태로 유지하기 위해 청소해야 하는 주요 구성품입니다. (그림12)**

- 임펠라

필터의 헤드 아래에 있는 이 구성품을 오른쪽에서 왼쪽으로 돌려 필터의 헤드를 들어 올립니다. 임펠라는 모듈 중앙에 있으며 쉽게 제거할 수 있습니다. 완벽한 청소를 위해 Sicce Pump청소액을 넣은 물에 30분 정도 담갔다가 부드러운 브러시로 행구어 없애기 힘든 침착물을 제거합니다. 청소



후 필터를 다시 조립하십시오

필터 블록 망

그리드에 구멍을 막아 흐름을 막을 수 있는 작은 이끼나 조류가 없어야 합니다.

필터 여과재를 제거하지 않아도 필터의 외부 청소를 수행할 수 있습니다.

EN

IT

DE

FR

ES

NL

PT

RU

CZ

CN

KR

## 필터 여과재 교체 시스템

내부 카트리지는 매장에서 구입하여 새것으로 교체할 수 있습니다 또는 권장되는 Sicce 필터 여과재나 기타 다른 여과재를 사용하여 리필할 수 있습니다.

카트리지 또는 필터 여과재는 4 ~ 6주마다 교체해야 합니다.

폼을 정기적으로 행구고 6 ~ 8마다 교체하여 결정수 수족관을 보존합니다.

## 업그레이드 (그림13)

SHARK PRO 필터는 추가 유닛(예비 부품으로 사용 가능)을 추가하여 업그레이드할 수 있습니다. 임시 물 처리를 위해 또는 여과 모듈을 개선하기 위해 필요한 만큼 많이 추가할 수 있습니다.

## SHARK PRO는 수직 및 수평으로 사용할 수 있습니다. (그림14)

필터는 수평 또는 수직으로 위치될 수 있으며 필터의 모듈은 베이스의 이중 피팅 덕분에 회전될 수 있습니다

Turtles 키트 또는 팔루다리움에 따라 낮은 수위와 함께 사용할 경우 필터는 수평으로 탱크 바닥에 기반을 둡니다. 이 경우, 이 특정 용도에서는 필요하지 않은 필터의 부력이 문제가 될 수 있으므로 더 무거운 필터 매체를 사용하는 것이 좋습니다.

## EU 지침 2002/96/EC에 따른 제품의 올바른 방전 지침

사용 또는 파손된 경우, 제품을 다른 폐기물과 함께 배출하지 않아도 됩니다. 이것은 특정 전기 폐기물 수거 센터 또는 이 서비스를 제공하는 대리점에 전달할 수 있습니다. 환경과 건강에 부정적인 결과를 피하기 위해 별도로 전기 공구를 방출하고 에너지와 자원을 크게 절약할 수 있도록 재료를 재활용 수 있습니다.

## 보증

제한적 보증 "SICCE는 펌프의 임펠러를 제외하고 원래 구입일로부터 3년의 동안 자체 및 기술의 결함에 대해 원래 구매자에게 이 제품(아래 예외 사항 참조)을 6개월 동안 보증합니다. 본 보증은 결함 제품의 수리 또는 교체 (Sicce의 선택에 따라)에만 한정되며, 제품 사용으로 인한 수족관 수명 손실, 개인 부상, 재산 손실 또는 손상을 보장하지 않습니다. 보증을 검증하기 위해 구입 증명서 원본을 보관하는 것이 좋습니다. 보증 청구는 제품을 구입한 소매업체에 제출해야 합니다. 청구서와 함께 구매 증빙을 첨부하지 않으면 보증 권리가 무효화됩니다. 웹 사이트 [www.sicce.com](http://www.sicce.com)에 연결하여 적절한 세션에서 대리점에게 연락할 수 없는 경우 도움을 요청할 수 있습니다.

**EN**

또한 이 경우 구매 증명서는 반품 절차의 올바른 실행을 위한 기본 요건이 될 것입니다. 여기에서의 모든 보증은 관련 법률에 의해 정해진 최소 보증 기간과 동시에 이해되어야 하며, 이에 추가되지 않아야 합니다. 청구인은 보증 또는 기술적 서비스를 위해 제품을 보내기 전에 서류 제출 시 “반품 상품 승인”을 받아야 합니다. 구매자는 서비스 센터 또는 수리점에서의 배송비를 부담해야 합니다. 예외 사항: 이 보증은 다음을 보장하지 않습니다. \* 사고, 오용, 남용, 합리적 관리 부족, 정상 또는 일반 이외의 제품 사용, 비정상적인 작업 조건에서 프로젝트를 사용하거나 자재 또는 작업기술의 결함으로 인해 발생하지 않는 기타 장애로 인한 피해. \* Sicce 또는 지정자 이외의 사람이 수정, 변조 또는 수리를 시도하여 발생한 손상. \* 원래 구매자가 아닌 다른 사람에게 제품을 양도하는 것. \* 포장에 명시되지 않은 전기 서비스의 적용을 받습니다. 원래 구매자는 적절한 전기 설비를 제공할 책임이 있습니다.”

**IT****DE****FR**

### 5년 동안 제품을 보장받는 방법을 알아보십시오.

**ES**

당사의 서비스와 고객 만족도를 향상시키기 위해 Sicce는 “지원/제품 등록” 웹 사이트 [www.sicce.com](http://www.sicce.com)에서 제품을 등록하는 것만으로도 보증에 2년 연장(총 5년)을 추가할 수 있습니다.

**NL**

저희 제품을 이용해주셔서 감사하며 새로운 SHARK PRO를 즐겨보세요!

**PT****RU****CZ****CN****KR**





**SICCE S.r.l.**

Via V. Emanuele, 115 - 36050 Pozzoleone (VI) - Italy  
Tel. +39 0444 462826 - Fax +39 0444 462828 - P. IVA / VAT 02883090249  
info@sicce.com • www.sicce.com

**SICCE US Inc.**

infous@sicce.com • www.sicce-us.com

**SICCE AUSTRALIA Pty Ltd**

info@sicce.com.au • www.sicce.com.au

80N711 01-2022 © Sicce All rights reserved

UK  
CA

CE



ERC